



CompactLine Easy Antenna, Ultra High Performance, Single Polarized, 3 ft

**Product Description**

RFS CompactLine® and CompactLine® Easy Antennas are designed for short-haul microwave systems in all common frequency ranges from 6 GHz to 86 GHz. They are typically deployed in dense urban areas, metropolitan and suburban locations, aggregation points. They are especially optimized to integrated radios to reduce costs, installation complexity and time.

**Features/Benefits**

- Sizes ranging from 0.3 m (1 ft) to 1.8 m (6 ft)
- Frequencies ranging from 5.925 GHz to 86 GHz with support for four wideband frequency ranges (5.925-7.125, 7.125-8.5, 10.0-11.7, and 71.0-86.0 GHz) to reduce antenna requirements and simplify logistics
- Single (SB and SC) and dual-polarized (SBX and SCX) models with the ability to upgrade from single to dual polarization and change frequencies in the field
- Low-profile design to reduce transportation requirements, wind load and antenna weight
- Simplified mounting design to accelerate installation
- CompactLine EASY models are extra light and easy to transport, deploy and upgrade
- Hardcover radomes
- Tested and validated ultra-high (ETSI EN 302 217-4-2 Class 3, FCC Class A) electrical performance
- Support for winds up to 250 km/h (155 mph) and even 320 km/h (195 mph) for SB1/SBX1
- An optional sway bar for antennas 1 m (3 ft) and larger is available



Antenna

**Technical Features**

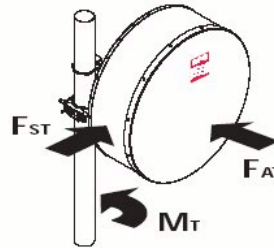
Product Type	Point to point antennas
Frequency, GHz	12.7 - 13.25
Diameter, ft (m)	3 (0.9)
Profile	CompactLineEasy
Reflector	1-part
Swaybar	0: (not applicable)
optional Swaybar	1: SMA-SK-3 (1.00 m x Ø33 mm)
Performance	Ultra High
Polarization	Single
Regulatory Compliance	ETSI EN 302217 Range 1 Class 3, Brazil Anatel Class 2, Canada SRSP 312.7 Part B, FCC Category A
3dB beamwidth, (degrees)	1.6
Antenna Input	PBR 120
Low Band Gain, dBi	39.9
Mid Band Gain, dBi	40
High Band Gain, dBi	40.1
F/B Ratio, dB	66
XPD, dB	30
Max VSWR / R L, dB	1.38 ( 16 )
Elevation Adjustment, degrees	± 15
Azimuth Adjustment, degrees	± 15
Polarization Adjustment, degrees	± 5
Radome	rigid
Antenna color	White RAL 9010
Mounting Pipe Diameter minimum, mm (in)	89 (3.5)
Mounting Pipe Diameter maximum, mm (in)	114 (4.5)
Approximate Weight, kg (lb)	18 (40)
Survival Windspeed, km/h (mph)	252 (155)
Operational Windspeed, km/h (mph)	180 (112)
Further Accessories	SMA-SKO-UNIVERSAL : Universal sway bar fixation kit

All information contained in the present datasheet is subject to confirmation at time of ordering

CompactLine Easy Antenna, Ultra High Performance, Single Polarized, 3 ft

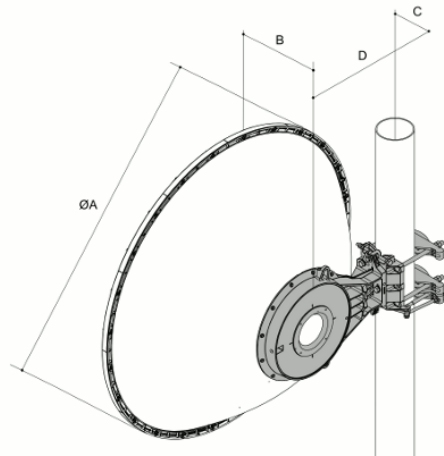
All values @ Survival Wind Speed

$F_{ST}$ Side force max, N (lb)	1951 (326)
$F_{AT}$ Fa Axial force max, N (lb)	2930 (659)
M Torque max., Nm (lb*ft)	1213 (895)



Dimensions mm (in)

$\varnothing A$	999 (39.5)
B	375 (15)
C	56 (2.2)
D @ Mounting pipe $\varnothing$ 219 (8.5):	not applicable
D @ Mounting pipe $\varnothing$ 114 (4.5):	392 (15.5)
D @ Mounting pipe $\varnothing$ 89 (3.5):	379.5 (14.9)
D @ Mounting pipe $\varnothing$ 48 (1.9):	not applicable
E	79 (3)
F	182 (7)
G	not applicable
H	not applicable



Notes

no notes

Documentation

<a href="#">Reflector Installation</a>	<a href="#">RPE (Pathloss format)</a>
<a href="#">Feed Installation</a>	<a href="#">RPE (PDF format)</a>

All information contained in the present datasheet is subject to confirmation at time of ordering