

ez360 1080p CS-CV246

1080p Pan and Tilt Wi-Fi Indoor Cloud Camera

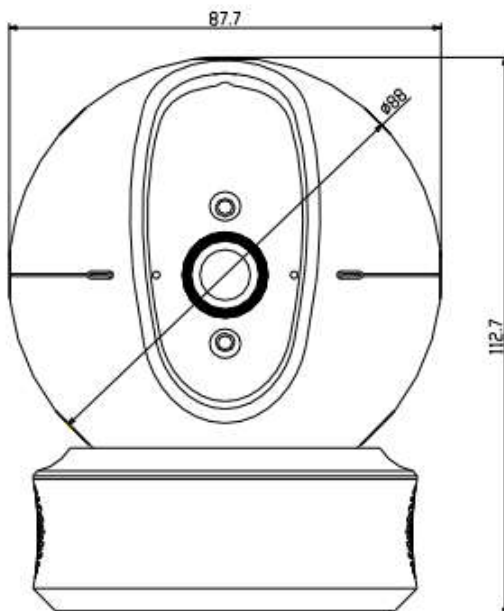


Introduction

EZVIZ products have been designed for your entertainment, communication and security. When you install the EZVIZ APP on your smartphone or tablet, EZVIZ devices will connect to the cloud via their QR code. With EZVIZ you can talk to your loved ones, watch your child's progress when you are away, keep an eye on your home and interact with your pets.

Main Features

- ◇ Up to 2 megapixel resolution, 1920×1080@30fps.
- ◇ Support PT function, pan angle up to 340°, tilt angle up to 120° (up 105°, down 15°).
- ◇ Support smart motion tracking shoot.
- ◇ High-efficiency infrared fill light, long service life and up to 10 meters irradiation distance.
- ◇ Built-in microphone and speaker, support two-way audio.
- ◇ Support Micro SD card up to 128GB.
- ◇ Support Wi-Fi, smart configuration via QR code.
- ◇ Support video alarm service for mobile phone and Web.



Specifications

Model	CS-CV246-B0-3B2WFR
Camera	
Image sensor	1/2. 7" 2MP Progressive Scan CMOS
Shutter Speed	Self-adaptive shutter
Lens	4mm@ F2.2, view angle: 90°(Diagonal)
PT Angle	Pan: 340° , Tilt: 120°
Lens Mount	M12
Day & Night	IR cut filter with auto switch
DNR	3D DNR
WDR	Digital WDR
Compression	
Video Compression	H.264
H.264 Type	Main Profile
Video Bit Rate	HD; balance; fluency. Adaptive bit rate.
Audio Compression	AAC
Audio Bit Rate	Self-Adaptive
Image	
Max. Resolution	1920 × 1080
Frame Rate	Self-Adaptive Max: 30fps
Image setting	Brightness, contrast, saturation, etc.
BLC	Support
Network	
Storage	Support Micro SD card (Max. 128G)
Smart Alarm	Motion detection
One-key configuration	SmartConfig (Wi-Fi One Push Configuration)
Protocol	Ezviz cloud proprietary protocol
Interface Protocol	Ezviz cloud proprietary protocol
General Function	Anti-Flicker, Dual-Stream, Heart Beat, Mirror Image, Password Protection, Watermark
Wi-Fi	
Standard	IEEE802.11b, 802.11g, 802.11n
Frequency Range	2.4 GHz ~ 2.4835 GHz
Channel Bandwidth	Support 20MHz
Security	64/128-bit WEP, WPA/WPA2, WPA-PSK/WPA2-PSK
Transmission Rate	11b: 11Mbps, 11g :54Mbps, 11n :135Mbps
General	
Operating Conditions	14 °F to 113 °F (-10°C ~ 45°C), Humidity 95% or less (non-condensing)
Power Supply	DC 5V±10%
Power Consumption	5. 5W MAX
IR Range	MAX. 30 feet (10 meters)
Dimensions (mm)	3.45"*3.45"*4.44" (87.7mm*87.7mm*112.7mm)
Weight	0.56lb (256g)