

Antenna THP 08-0525 D

Antenna THP 08 0525 D



General Specifications

| | |
|-----------------|---------------------------|
| Diameter | 0.8m |
| Standard Colour | RAL 7035 |
| Shroud | Low profile |
| Antenna Input | Interface for N Connector |
| Polarization | Dual |

Mechanical Characteristics

| | |
|----------------------------------|---|
| Pole | 114 mm |
| Elevation-fine adjustment | $\pm 20^\circ$ |
| Azimuth-fine adjustment | $\pm 10^\circ$ |
| Side struts, included | 0 |
| Side struts, optional | 1 |
| Net weight | 17.5 Kg |
| Radome | Rigid plastic |
| Wind velocity Operational | 30 m/s |
| Wind velocity Survival | 70 m/s |
| Wind deflection | <0.3 times the -3 dB beamwidth |
| (with a wind velocity of 30 m/s) | Specified wind deflection applies for 114 mm dia mounting pipe only |

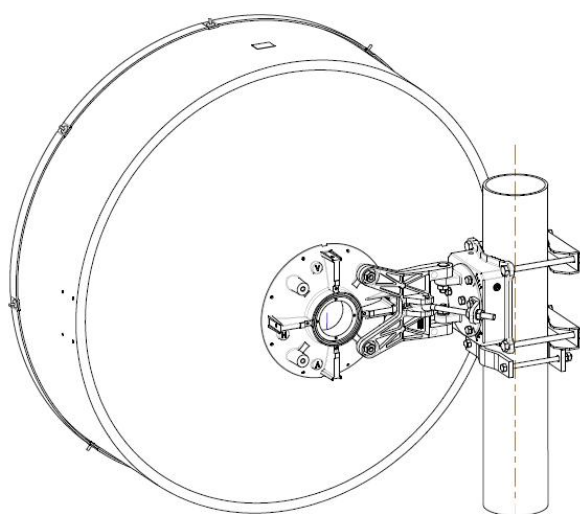
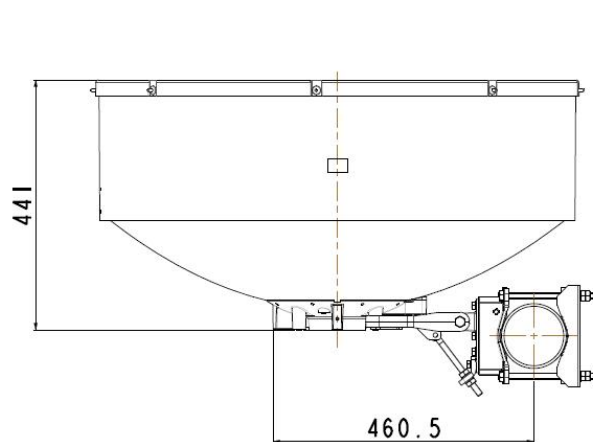
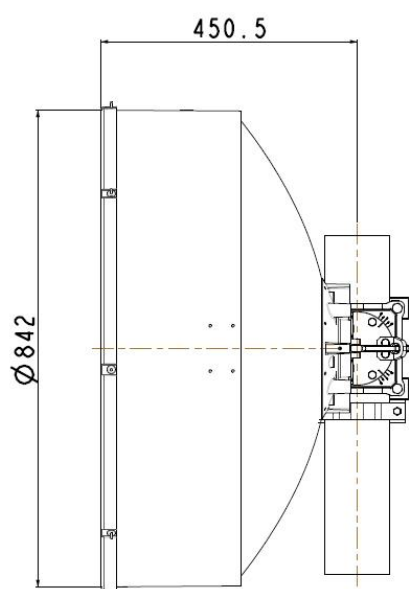
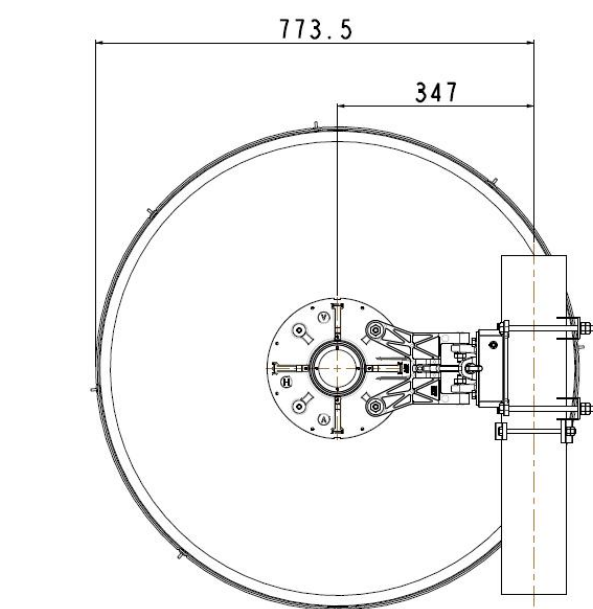
↙ Antenna Dimensions

(pole mount included)

Height 842.0 mm

Width 842.0 mm

Depth 441.0 mm



↘ Wind forces at wind velocity survival rating and with 25 mm (1") ice load

| | |
|-----------------|---------|
| Axial force | 2230 N |
| Side force | 1105 N |
| Twisting Moment | 821 N?m |

Maximum forces exerted on a supporting structure as a result of wind (survival rating) from the most critical direction for each parameter. These values may not occur simultaneously. All forces are referred to the mounting pipe of 114 mm diameter

↘ Electrical Characteristics

| | |
|-----------------------|-----------------|
| Frequency range | 5.25 - 5.85 GHz |
| Gain, low band | 29.8 dBi |
| Gain, mid band | 30.1 dBi |
| Gain, top band | 30.5 dBi |
| Return Loss | 14.0 dB |
| VSWR | 1.5 |
| HPBW | 4.8° |
| Front to back ratio | 51 dB |
| Isolation | 35 dB |
| XPD | 30.0 dB |
| Electrical Compliance | Class 2 |

↘ Shipping Information

| | |
|--------------|--------|
| Gross weight | 26 kg |
| Height | 700 mm |
| Depth | 920 mm |
| Width | 930 mm |

