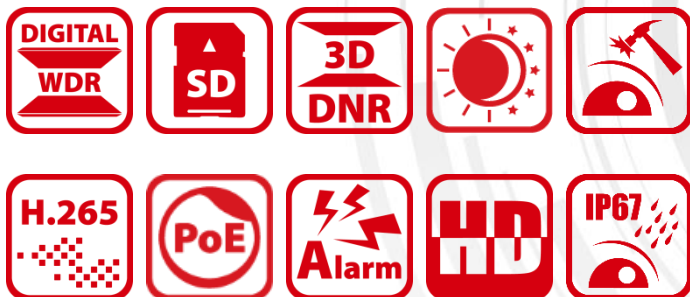


## DS-2DF8836I5X-AEL(W) 8MP 36× Network Laser Speed Dome



Hikvision DS-2DF8836I5X-AEL(W) 8MP 36× Network Laser Speed Dome adopts 2/3" progressive scan CMOS chip. With the 36× optical zoom lens, the camera offers more details over expansive areas.

This series of cameras can be widely used for wide ranges of high-definition, such as the rivers, forests, roads, railways, airports, ports, squares, parks, scenic spots, stations and large venues, etc.

### Key Features

- 2/3" progressive scan CMOS
- Up to 4096 × 2160 resolution
- Min. Illumination:  
Color: 0.005 Lux @(F1.5, AGC ON)  
B/W: 0.0005 Lux @(F1.5, AGC ON)  
0 Lux with IR
- 36× optical zoom, 16× digital zoom
- Digital WDR, 3D DNR, HLC, Smart IR
- 24 VAC & Hi-PoE
- Up to 500 m laser distance
- Support H.265+/H.265 video compression
- Deep-learning-based target classification algorithm for auto-tracking 2.0 and perimeter protection
- Rapid focus
- IK10 IP67



[www.hikvision.com](http://www.hikvision.com)

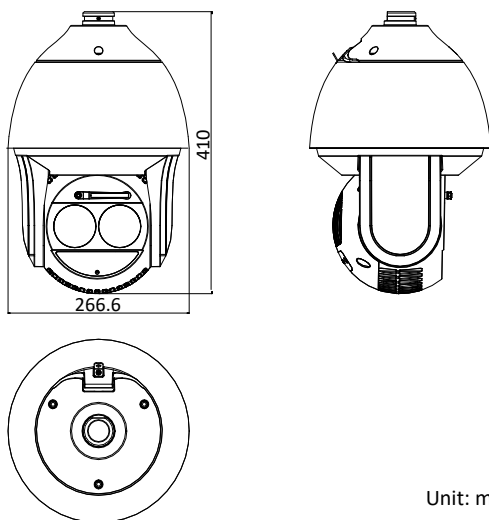
## Specification

| Camera Module         |  |
|-----------------------|--|
| Image Sensor          | 2/3" progressive scan CMOS   |
| Min. Illumination     | Color: 0.005 Lux @(F1.5, AGC ON)<br>B/W: 0.0005 Lux @(F1.5, AGC ON)<br>0 Lux with IR   |
| Shutter Time          | 1/1 s to 1/30,000 s  |
| White Balance         | Auto/Manual/ATW (Auto-tracking White Balance)/Indoor/Outdoor/Fluorescent Lamp/Sodium Lamp  |
| AGC                   | Auto/Manual  |
| Day & Night           | IR cut filter  |
| Digital Zoom          | 16×  |
| Privacy Mask          | 24 programmable polygon privacy masks  |
| Focus Mode            | Auto/Semi-automatic/Manual   |
| 3D DNR                | Support  |
| BLC                   | Support  |
| HLC                   | Support  |
| Digital WDR           | Support  |
| Optical Defog         | Support  |
| EIS                   | Support  |
| Regional Exposure     | Support  |
| Regional Focus        | Support  |
| Lens                  |  |
| Focal Length          | 7.5 mm to 270 mm, 36× Optical  |
| Zoom Speed            | Approx. 7.8 s (optical lens, wide-tele)  |
| Field of View         | Horizontal field of view: 56.1° to 2.0° (wide-tele)<br>Vertical field of view: 33.4° to 1.1° (wide-tele)<br>Diagonal field of view: 62.9° to 2.3° (wide-tele)  |
| Working Distance      | 10 mm to 1500 mm (wide-tele)   |
| Aperture Range        | F1.5 to F4.5   |
| PTZ                   |  |
| Movement Range (Pan)  | 360° endless   |
| Pan Speed             | Configurable, from 0.1°/s to 210°/s, Preset Speed: 280°/s  |
| Movement Range (Tilt) | From -20° to 90° (Auto-flip)   |
| Tilt Speed            | Configurable, from 0.1°/s to 150°/s, Preset Speed: 250°/s  |
| Proportional Zoom     | Support  |
| Presets               | 300  |
| Patrol Scan           | 8 patrols, up to 32 presets for each patrol  |
| Pattern Scan          | 4 pattern scans, record time over 10 minutes for each scan   |
| Power-off Memory:     | Support  |
| Park Action           | Preset/Pattern Scan/Patrol Scan/Auto Scan/Tilt Scan/Random Scan/Frame Scan/Panorama Scan   |
| PTZ Status Display    | Support  |
| Preset Freezing       | Support  |
| Scheduled Task        | Preset/Pattern Scan/Patrol Scan/Auto Scan/Tilt Scan/Random Scan/Frame Scan/Panorama Scan/Dome Reboot/Dome Adjust/Aux Output  |
| Smart Features        |  |
| Perimeter Protection  | Intrusion, Line Crossing, Region Entrance, Region Exiting<br>Support alarm triggering by specified target types (human and vehicle)<br>Filtering out mistaken alarm caused by target types such as leaf, light, animal, and flag, etc. |
| Event Detection       | Face Detection, Audio Exception Detection  |

|                           |  |
|---------------------------|--|
| Smart Tracking            | Manual Tracking, Auto Tracking (support tracking specified target types such as human and vehicle), Event Tracking   |
| Smart Record              | ANR (Automatic Network Replenishment), Dual-VCA  |
| ROI                       | Support  |
| <b>Laser</b>              |  |
| Laser Distance            | 500 m  |
| <b>Network</b>            |  |
| Max. Resolution           | 4096 × 2160  |
| Main Stream               | 50Hz: 25fps (4096 × 2160, 3840 × 2160, 3072 × 1728, 2560 × 1440, 2048 × 1536, 1920 × 1080, 1280 × 960, 1280 × 720)<br>60Hz: 30fps (4096 × 2160, 3840 × 2160, 3072 × 1728, 2560 × 1440, 2048 × 1536, 1920 × 1080, 1280 × 960, 1280 × 720) |
| Sub-Stream                | 50Hz: 25fps (704 × 576, 640 × 480, 352 × 288)<br>60Hz: 30fps (704 × 480, 640 × 480, 352 × 240)   |
| Third Stream              | 50Hz: 25fps (1920 × 1080, 1280 × 960, 1280 × 720, 704 × 576, 640 × 480, 352 × 288)<br>60Hz: 30fps (1920 × 1080, 1280 × 960, 1280 × 720, 704 × 480, 640 × 480, 352 × 240)   |
| ROI                       | Support  |
| SVC                       | Support  |
| Video Compression         | Main Stream: H.265+/H.265/H.264+/H.264<br>Sub-Stream: H.265/H.264/MJPEG<br>Third Stream: H.265/H.264/MJPEG<br>H.264 with Baseline/Main/High Profile  |
| Audio compression         | G.711alaw/G.711ulaw/G.722.1/G.726/MP2L2/PCM  |
| Protocols                 | IPv4/IPv6, HTTP, HTTPS, 802.1x, Qos, FTP, SMTP, UPnP, SNMP, DNS, DDNS, NTP, RTSP, RTCP, RTP, TCP/IP, DHCP, PPPoE, Bonjour  |
| Simultaneous Live View    | Up to 20 channels  |
| User/Host                 | Up to 32 users<br>3 levels: Administrator, Operator and User   |
| Security Measures         | User authentication (ID and PW), Host authentication (MAC address); HTTPS encryption; IEEE 802.1x port-based network access control; IP address filtering  |
| <b>System Integration</b> |  |
| Alarm Interface           | 7-ch alarm input/2-ch alarm output   |
| Audio Interface           | 1-ch audio input (applicable microphone, plug-in power type), 2 to 2.4 V[p-p], 1 K $\Omega$ $\pm$ 10%<br>1-ch audio output, line level, impedance: 600 $\Omega$  |
| Alarm Linkage             | Alarm actions, such as Preset, Patrol Scan, Pattern Scan, Memory Card Video Record, Trigger Recording, Notify Surveillance Center, Upload to FTP/Memory Card/NAS, Send Email, etc.   |
| Network Interface         | 1 RJ45 10 M/100 M Ethernet Interface; Hi-PoE   |
| CVBS                      | Support  |
| Storage                   | Built-in memory card slot, support Micro SD/SDHC/SDXC, up to 256 GB; NAS (NPS, SMB/CIFS), ANR  |
| API                       | Open-ended, support ONVIF, and CGI, support HIKVISION SDK and Third-Party Management Platform  |
| Client                    | iVMS-4200, iVMS-4500, iVMS-5200, Hik-Connect   |
| Web Browser               | IE 8 to 11, Chrome 31.0 to 44, Firefox 30.0 to 51  |
| <b>General</b>            |  |
| Power                     | 24 VAC (Max. 60 W)<br>Hi-PoE (Max. 50 W)   |
| Working Temperature       | Outdoor: -40°C to 70°C (-40°F to 158°F)  |
| Working Humidity          | $\leq$ 90%   |
| Protection Level          | IP67 Standard, IK10 (only supported by camera without wiper), TVS 6,000V Lightning Protection, Surge Protection and Voltage Transient Protection   |
| Dimensions                | $\Phi$ 266.6 mm × 410 mm ( $\Phi$ 10.50" × 16.14")   |
| Weight                    | Approx. 8 kg (17.64 lb)  |

**Order Model**

DS-2DF8836I5X-AELW (B), with wiper, 24 VAC &amp; Hi-PoE

**Dimensions**

Unit: mm

## Accessories

|   |                      |  |
|---|----------------------|--|
|    | DS-1604ZJ            | Wall Mounting Bracket                            |
|    | DS-1604ZJ-box        | Wall Mounting Bracket with Junction Box          |
|    | DS-1604ZJ-box-pole   | Vertical Pole Mounting Bracket with Junction Box |
|    | DS-1604ZJ-box-corner | Wall Mounting Bracket with Junction Box          |
|    | DS-1660ZJ            | Parapet Wall Mounting Bracket                    |
|    | DS-1619ZJ            | Gooseneck Mounting Bracket                       |
|   | DS-1661ZJ            | Pendant Mounting Bracket                         |
|  | DS-1662ZJ            | Pendant Mounting Bracket                         |
|  | DS-1663ZJ            | Ceiling Mounting Bracket                         |
|  | DS-1667ZJ            | Extendable Pole for Pendant Mounting Bracket     |
|  | DS-1673ZJ            | Horizontal Pole Mounting Bracket                 |
|  | DS-1682ZJ            | Extendable Pole for Pendant Mounting Bracket     |

Hea  
No.1  
Han  
T +86-571-8807-5998  
overseasbusiness@hikvision.com

**Hikvision USA**  
T +1-909-895-0400  
sales.usa@hikvision.com

**Hikvision Australia**  
T +61-2-8599-4233  
salesau@hikvision.com

**Hikvision India**  
T +91-22-28469900  
sales@pramahikvision.com

**Hikvision Canada**  
T +1-866-200-6690  
sales.canada@hikvision.com

**Hikvision Thailand**  
T +662-275-9949  
sales.thailand@hikvision.com

**Hikvision Europe**  
T +31-23-5542770  
sales.eu@hikvision.com

**Hikvision Italy**  
T +39-0438-6902  
info.it@hikvision.com

**Hikvision Brazil**  
T +55 11 3318-0050  
Latam.support@hikvision.com

**Hikvision Turkey**  
T +90 (216)521 7070- 7074  
sales.tr@hikvision.com

**Hikvision Malaysia**  
T +601-7652-2413  
sales.my@hikvision.com

**Hikvision UK & Ireland**  
T +01628-902140  
sales.uk@hikvision.com

**Hikvision South Africa**  
Tel: +27 (10) 0351172  
sale.africa@hikvision.com

**Hikvision France**  
T +33(0)1-85-330-450  
info.fr@hikvision.com

**Hikvision Kazakhstan**  
T +7-727-9730667  
nikia.panfilov@hikvision.ru

**Hikvision Vietnam**  
T +84-974270888  
sales.vt@hikvision.com

**Hikvision UAE**  
T +971-4-4432090  
salesme@hikvision.com

**Hikvision Singapore**  
T +65-6684-4718  
sg@hikvision.com

**Hikvision Spain**  
T +34-91-737-16-55  
info.es@hikvision.com

**Hikvision Tashkent**  
T +99-87-1238-9438  
uzb@hikvision.ru

**Hikvision Hong Kong**  
T +852-2151-1761  
info.hk@hikvision.com

**Hikvision Russia**  
T +7-495-669-67-99  
sateru@hikvision.com

**Hikvision Korea**  
T +82-(0)31-731-8817  
sales.korea@hikvision.com

**Hikvision Poland**  
T +48-22-460-01-50  
info.pl@hikvision.com

**Hikvision Indonesia**  
T +62-21-2933759  
Sales.Indonesia@hikvision.com

**Hikvision Colombia**  
sales.colombia@hikvision.com