

DS-1279ZJ

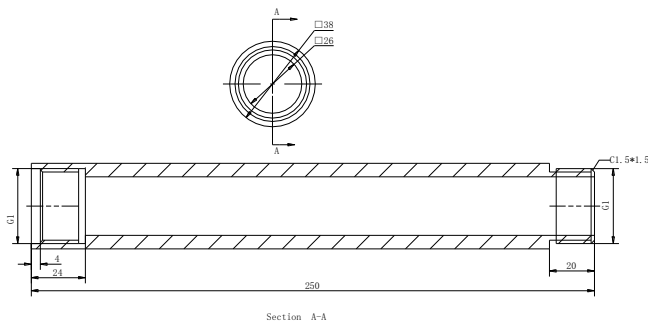
Extendable Pole for Pendant Mount



Features:

- Aluminum alloy material with surface spray treatment
- Match up with pendant mount(DS-1271ZJ)

Dimension:



Order Model:

DS-1279ZJ

Parameter:

| | |
|------------|-----------------------------------|
| Model | DS-1279ZJ |
| Parameters | Extendable Pole for Pendant Mount |
| Appearance | Hikvision White |
| Material | Composite Fibre |
| Dimension | Φ 38×250mm |
| Weight | |

Note: The actual dome camera may vary from the picture above.