
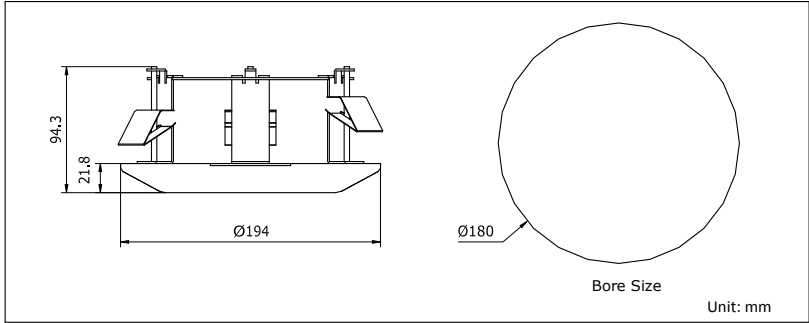


## DS-1671ZJ

Model	DS-1671ZJ Indoor dome flush mount
Appearance	
Feature	Suitable for DS-2AF1-401X and DS-2DF1-401H, etc., dome camera with the same structure
Construction	Sheet metal and ABS plastic
Weight	500g(1.1lbs)
Dimensions	<p style="text-align: center;"> <math>\Phi 194 \times 94.3 \text{mm}</math>  <math>(\Phi 7.64'' \times 3.71'')</math> </p> <div style="border: 1px solid black; padding: 10px; margin-top: 10px;">  <p style="text-align: right;">Unit: mm</p> </div>