

DS-1M Series RJ45 Plug

Features and Functions

- 15u inch gold plated contacts
- Support 1000 Base-T Ethernet
- Compliant With ROHS Standard
- 8 pins × 8 conductors



DS-1M01



DS-1M02

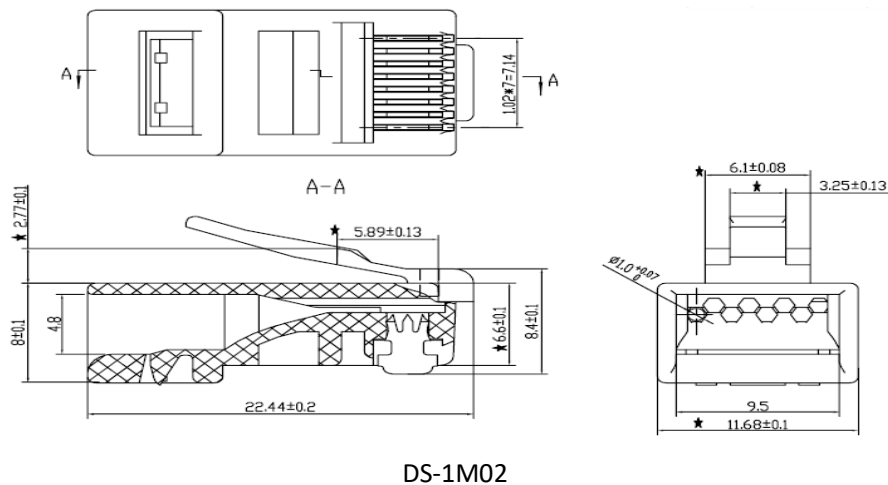
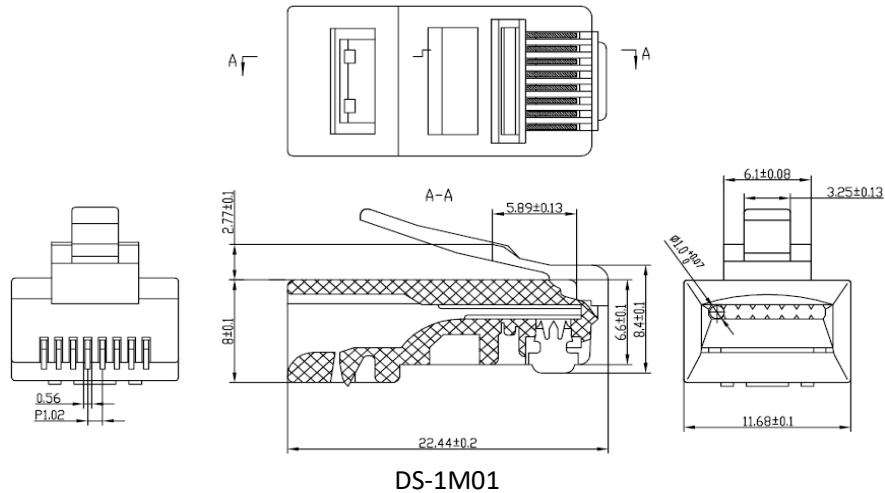


Specifications

Item	DS-1M01	DS-1M02
MAX Current	1.5A @25°C	
MAX Voltage	≤150VAC	
Insulation Resistance	≥1000MΩ @100V DC	
Withstand voltage	1KV AC RMS	
Contact Resistance	≤20 mΩ	
Tensile Strength	50N for 60s±5s	
Insert/Extraction life	≥750 cycles	
Operating temperature	-25~55°C	
Storage temperature	-10~40°C	
Relative humidity	<80%	
Plug Housing	Polycarbonate, UL94V-2	
Conductor	Copper alloy + 15u inch gold plating	

Note: DS-1M01 is for Cat5e , DS-1M02 is for Cat6

Mechanical (mm)



Distributed by



Headquarters

No.555 Qianmo Road, Binjiang District,
Hangzhou 310051, China
T +86-571-8807-5998
overseasbusiness@hikvision.com

Hikvision USA
T +1-909-895-0400
sales.usa@hikvision.com

Hikvision Italy
T +39-0438-6902
info.it@hikvision.com

Hikvision Singapore
T +65-6684-4718
sg@hikvision.com

Hikvision Europe
T +31-23-5542770
saleseuro@hikvision.com

Hikvision France
T +33(0)1-85-330-444
info.fr@hikvision.com

Hikvision Oceania
T +61-2-8599-4233
salesau@hikvision.com

Hikvision Middle East
T +971-4-8816086
salesme@hikvision.com

Hikvision Spain
T +34-91-737-16-55
info.es@hikvision.com

Hikvision Hong Kong
T +852-2151-1761

Hikvision Russia
T +7-495-669-67-99
saleru@hikvision.com

Hikvision Poland
T +48-22-460-01-50
poland@hikvision.com

Hikvision Canada
T +1-909-895-0400
sales.usa@hikvision.com

Hikvision India
T +91-22-28469900
sales@pramahikvision.com

Hikvision UK
T +44-1628-9021-4
support.uk@hikvision.com