



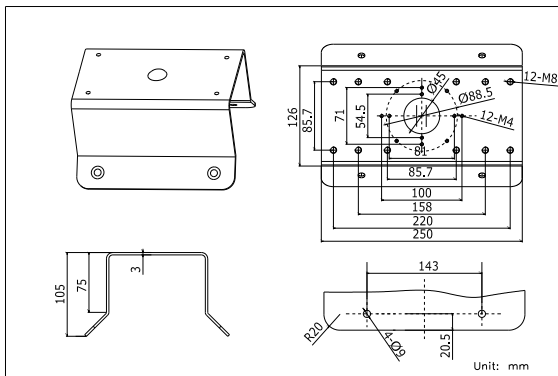
## DS-1276ZJ

### Corner Mount Bracket

#### Features:

- For corner mounting
- Aluminum alloy is used for mounting plate
- Add the field view angle of camera

#### Dimension:



#### Order Model:

DS-1276ZJ

#### Parameter:

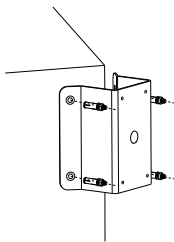
Model	DS-1276ZJ
Parameter	Corner Mount Bracket
Appearance	Hikvision White
Range of Application	Adopted with some wall mount bracket
Material	Aluminum Alloy
Dimension	126 × 105 × 250mm
Weight	1950g

#### Notice:

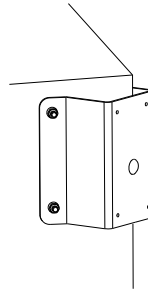
- The site of screw hole should be noticed when using with wall mount bracket
- The bracket should be installed on flat wall
- Load capacity of pole should be more than 3 times the weight of camera and bracket
- Load capacity of clamp is 10KG

#### Installation Step:

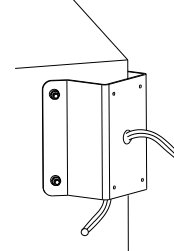
① Choose appropriate wall and install the bracket with expansion bolt



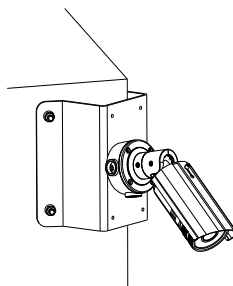
② Screw up and fix the bracket firmly



③ Complete the bracket installation and wiring for camera adoption



The bracket can be used with some wall mounting bracket, which is as followed:



**Note:** The actual bracket may vary from the picture above.