

DS-1605ZJ

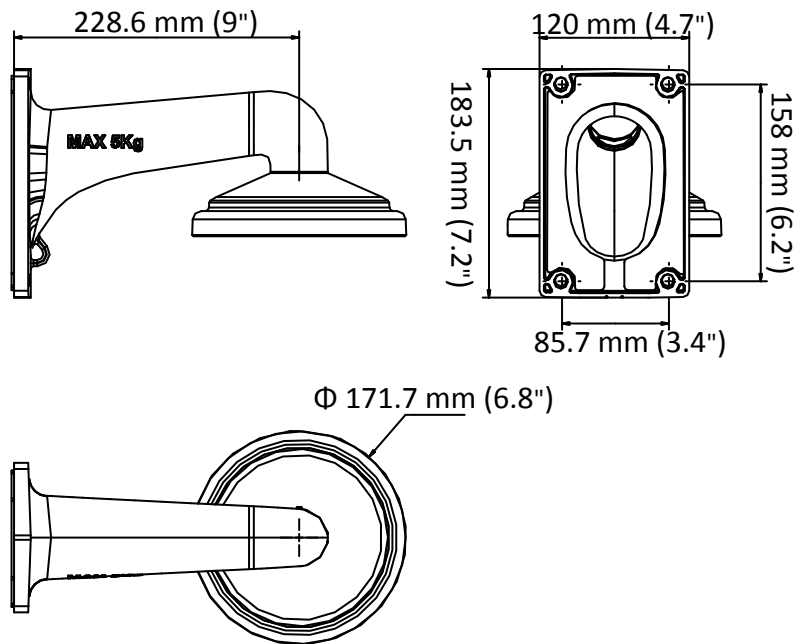
Wall Mounting Bracket for 4-inch PTZ Camera



Feature

- Aluminum alloy material with surface spray treatment
- Waterproof design

Dimension



Available Model

DS-1605ZJ

Parameter

Model	DS-1605ZJ
Parameters	Wall Mounting Bracket for 4-inch PTZ Camera
Appearance	Hikvision White
Material	Aluminum Alloy
Dimension	Φ 171.7 mm \times 158 mm \times 228.6 mm (6.8" \times 6.2" \times 9")
Weight	1120 g (3.57 lb.)

Note

- The bracket should be installed on the flat surface.
- The waterproof rubber is necessary for the outdoor application.
- The wall must be capable of supporting at least 3 times as much as the total weight of the camera and the bracket.
- The bracket's maximum load capacity is 5 Kg (11 lb.).

0100001061123