

## DS-7600HUHI-F/N SERIES TURBO HD DVR



### Features and Functions

#### Video Input and Transmission

- Connectable to HD-TVI, AHD, network and analog cameras
- Up to 32-ch 8MP ONVIF conformant IP cameras input
- Long distance transmission over twisted-pair cable & coax cable

#### Compression and Recording

- H.264+ compression improves encoding efficiency by up to 50% and reduces data storage costs
- Full channel recording at up to 3MP resolution

#### Video Output

- HDMI/VGA output at up to 1080p resolution
- CVBS output improves compatibility at the most possibility

#### Storage and Playback

- One or two SATA interfaces (up to 6TB of capacity per HDD)
- 4/8/16-ch synchronous playback at up to 3MP resolution
- Smart search for efficient playback
- Supports the 3<sup>rd</sup> party cloud storage (Dropbox/Google Drive/Microsoft OneDrive)

#### Smart Function

- Supports multiple VCA(Video Content Analytics) events for both analog and smart IP cameras
- VQD(Video Quality Diagnostics)

#### Network & Ethernet Access

- Hik Cloud P2P & HiDDNS (Dynamic Domain Name System) for easy network management
- Gigabit Ethernet network interface (DS-7608HUHI-F2/N DS-7616HUHI-F2/N)



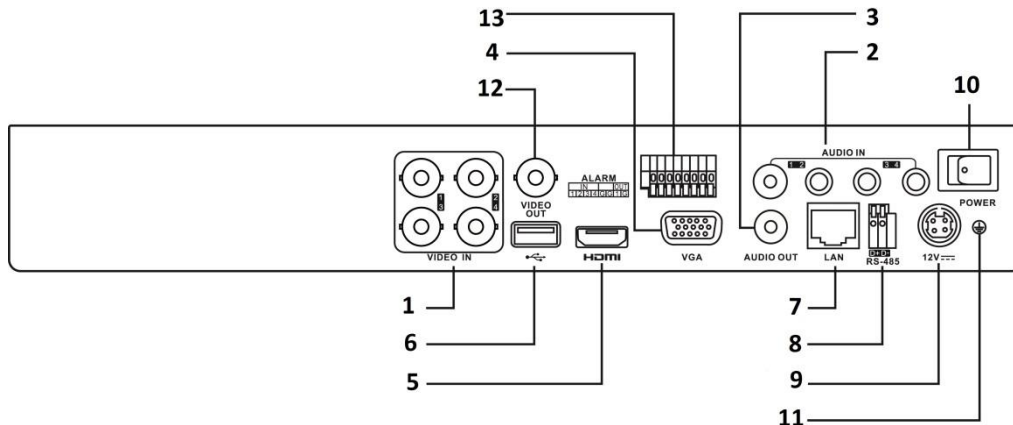
## Specifications

Model	DS-7604HUHI-F1/N	DS-7608HUHI-F2/N	DS-7616HUHI-F2/N	
Video/Audio input	Video compression	H.264+/H.264		
	Video input	4-ch	8-ch	16-ch
		BNC interface (1.0Vp-p, 75 Ω), supporting coaxitron connection		
	HD-TVI input	3MP, 1080p/25Hz, 1080p/30Hz, 720p/60Hz, 720p/50Hz, 720p/30Hz, 720p/25Hz		
	Supported AHD input	720p/30Hz, 720p/25Hz		
	CVBS input	Support		
	IP video input	4-ch (up to 8-ch) Up to 8 MP resolution	8-ch (up to 16-ch)	16-ch (up to 32-ch)
	Network bandwidth	96 Mbps	128 Mbps	140 Mbps (incoming bandwidth: 72 Mbps)
	Audio compression	G.711u		
Audio input	4-ch, RCA (2.0 Vp-p, 1 KΩ)			
Video/Audio output	CVBS output	1-ch, BNC (1.0 Vp-p, 75 Ω), resolution: PAL: 704 × 576, NTSC: 704 × 480		
	HDMI/VGA output	1-ch, 1920 × 1080/60Hz, 1280 × 1024/60Hz, 1280 × 720/60Hz, 1024 × 768/60Hz		
	Encoding resolution	3MP: 15fps 1080p/720p/WD1/4CIF/VGA/CIF: 25 fps (P)/30 fps (N)		
	Frame rate	Main stream: 25 fps (P)/30 fps (N) Sub-stream: WD1/4CIF: 12fps CIF/QVGA/QCIF: 25 fps (P)/30 fps (N)		
	Video bit rate	32 Kbps to 10 Mbps		
	Audio output	1-ch, RCA (Linear, 1 KΩ)		
	Audio bit rate	64 Kbps		
	Dual-stream	Support		
	Stream type	Video, Video & Audio		
	Synchronous playback	4-ch	8-ch	16-ch
Network management	Network protocols: TCP/IP, PPPoE, DHCP, Hik Cloud P2P, DNS, DDNS, NTP, SADP, NFS, iSCSI, UPnP™, HTTPS, ONVIF			
Hard disk	SATA	1 SATA interface	2 SATA interfaces	2 SATA interfaces
	Capacity	Up to 6TB capacity		
External interface	Two-way audio input	1-ch, RCA (2.0 Vp-p, 1 KΩ) (using the audio input)		
	Network interface	1, RJ45 10M/100Mbps self-adaptive Ethernet interface	1, RJ45 10M/100M/1000Mbps self-adaptive Ethernet interface	1, RJ45 10M/100M/1000Mbps self-adaptive Ethernet interface
	USB interface	2 × USB 2.0	1, USB 2.0 on the front panel 1, USB 3.0 on the rear panel	1, USB 2.0 on the front panel 1, USB 3.0 on the rear panel
	Serial interface	1; RS-485 serial interface, half-duplex		
	Alarm in/out	4/1	8/4	16/4
	General	Power supply	12 VDC	
Consumption (without HDD)		≤ 15W	≤ 20W	≤ 40W
Working temperature		-10 °C to +55 °C (14 °F to 131 °F)		
Working humidity		10% to 90%		
Dimensions (W × D × H)		315 × 242 × 45 mm (12.4 × 9.5 × 1.8 inch)	380 × 320 × 48 mm (14.9 × 12.6 × 18.9 inch)	380 × 320 × 48 mm (14.9 × 12.6 × 18.9 inch)
Weight (without HDD)		≤ 2 kg (4.4 lb)		



Each two video channels are grouped in sequence, e.g., CH01 and CH02, CH03 and CH04..., and each two channels in the same group must be connected with the same type of video source selected on GUI.

## Physical Interfaces



The rear panel of DS-7608HUHI-F2/N or DS-7616HUHI-F2/N provides 8 or 16 video input interfaces.

Index	Description	Index	Description
1	VIDEO IN	8	RS-485 Serial Interface
2	AUDIO IN, RCA Connector	9	12VDC Power Input
3	AUDIO OUT, RCA Connector	10	Power Switch
4	VGA Interface	11	GND
5	HDMI Interface	12	VIDEO OUT
6	USB Interface	13	Alarm in/out
7	LAN Network Interface		

## Available Models

DS-7604HUHI-F1/N, DS-7608HUHI-F2/N, DS-7616HUHI-F2/N

Distributed by



### Headquarters

No.555 Qianmo Road, Binjiang District,  
Hangzhou 310051, China  
T +86-571-8807-5998  
overseasbusiness@hikvision.com

**Hikvision USA**  
T +1-909-895-0400  
sales.usa@hikvision.com

**Hikvision Italy**  
T +39-0438-6902  
info.it@hikvision.com

**Hikvision Singapore**  
T +65-6684-4718  
sg@hikvision.com

**Hikvision Europe**  
T +31-23-5542770  
saleseuro@hikvision.com

**Hikvision France**  
T +33(0)1-85-330-444  
info.fr@hikvision.com

**Hikvision Oceania**  
T +61-2-8599-4233  
salesau@hikvision.com

**Hikvision Middle East**  
T +971-4-8816086  
salesme@hikvision.com

**Hikvision Spain**  
T +34-91-737-16-55  
info.es@hikvision.com

**Hikvision Hong Kong**  
T +852-2151-1761

**Hikvision Russia**  
T +7-495-669-67-99  
saleru@hikvision.com

**Hikvision Poland**  
T +48-22-460-01-50  
poland@hikvision.com

**Hikvision Canada**  
T +1-909-895-0400  
sales.usa@hikvision.com

**Hikvision India**  
T +91-22-28469900  
sales@pramahikvision.com

**Hikvision UK**  
T +44-1628-9021-4  
support.uk@hikvision.com