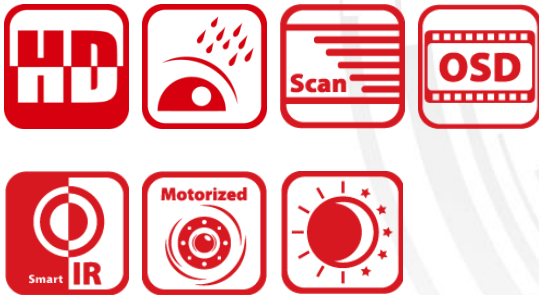


DS-2CE16H1T-(A)IT3Z 5 MP HD Motorized VF EXIR Bullet Camera



Key Features

- 5 megapixel high-performance CMOS
- HD analog output, up to 5 MP resolution
- 2.8 to 12 mm motorized vari-focal lens
- True Day/Night
- OSD menu, DNR, Smart IR
- EXIR technology, up to 40 m IR distance
- IP67
- Up the Coax (HIKVISION-C)



www.hikvision.com

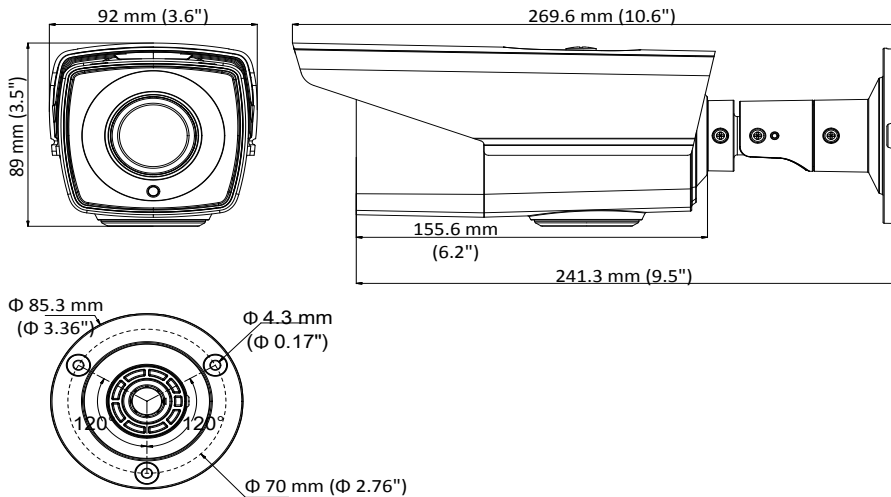
Specifications

Camera	
Image Sensor	5 MP CMOS image sensor
Effective Pixels	2592 (H) × 1944 (V)
Min. illumination	Color: 0.01 Lux @ (F1.2, AGC ON), 0 Lux with IR
Shutter Time	PAL: 1/25 s to 1/50,000 s NTSC: 1/30 s to 1/50,000 s
Lens	Motorized VF lens; 2.8 to 12 mm
Horizontal Field of View	27.7° to 86.8° (2.8 to 12 mm)
Lens Mount	φ14
Day & Night	ICR
Angle Adjustment	Pan: 0° to 360°; Tilt: 0° to 90°; Rotate: 0° to 360°
Synchronization	Internal synchronization
Video Frame Rate	2592 × 1944 @ 20fps
HD Video Output	1 HD analog output
Menu	
AGC	Support
D/N Mode	Auto/Color/BW (Black and White)
White Balance	ATW/MWB
BLC	Support
Language	English, Chinese
Functions	Brightness, Sharpness, Digital noise reduction, Mirror, Bad pixel correction, Smart IR
General	
Operating Conditions	-40 °C to 60 °C (-40 °F to 140 °F), humidity: 90% or less (non-condensation)
Power Supply	12 VDC ± 20% -A: 12 VDC ± 20% 24 VAC ± 20%
Power Consumption	Max. 6 W -A: Max. 9 W
Protection Level	IP67
IR Range	Up to 40 m
Communication	Up the coax, Protocol: HIKVISION-C (TVI output)
Dimensions	92 mm × 84.8 mm × 269.6 mm (3.62" × 3.34" × 3.34")
Weight	Approx. 900 g (1.98 lb.)

Order Models

DS-2CE16H1T-IT3Z, DS-2CE16H1T-AIT3Z

Dimensions



Accessories



DS-1275ZJ
Vertical Pole Mounting Bracket

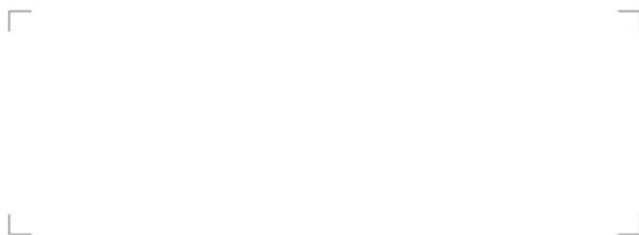


DS-1280ZJ-S
Junction Box



DS-1H18
Video Balun

Distributed by



Headquarters

No.555 Qianmo Road, Binjiang District,
Hangzhou 310051, China
T +86-571-8807-5998
overseasbusiness@hikvision.com

Hikvision USA
T +1-909-895-0400
sales.usa@hikvision.com

Hikvision Italy
T +39-0438-6902
info.it@hikvision.com

Hikvision Singapore
T +65-6684-4718
sg@hikvision.com

Hikvision Europe
T +31-23-5542770
saleseuro@hikvision.com

Hikvision France
T +33(0)1-85-330-444
info.fr@hikvision.com

Hikvision Oceania
T +61-2-8599-4233
salesau@hikvision.com

Hikvision Middle East
T +971-4-8816086
salesme@hikvision.com

Hikvision Spain
T +34-91-737-16-55
info.es@hikvision.com

Hikvision Hong Kong
T +852-2151-1761

Hikvision Russia
T +7-495-669-67-99
saleru@hikvision.com

Hikvision Poland
T +48-22-460-01-50
poland@hikvision.com

Hikvision Canada
T +1-909-895-0400
sales.usa@hikvision.com

Hikvision India
T +91-22-28469900
sales@pramahikvision.com

Hikvision UK
T +44-1628-9021-4
support.uk@hikvision.com