

## DS-2CD5546G0-IZ(H)S 4 MP IR Varifocal Dome Network Camera

**DarkFighter**



- 1/1.8" Progressive Scan CMOS
- 2560 × 1440 @ 30fps
- MJPEG up to 1920 × 1080 @ 30fps
- 2.8 to 12 mm/8 to 32 mm motorized lens
- Color: 0.002 Lux @ (F1.2, AGC ON), 0.005 Lux @ (F1.8, AGC ON), 0 Lux with IR
- H.265, H.265+, H.264, H.264+
- 140dB WDR
- 2.8 to 12 mm lens: IR range up to 30 m, 8 to 32 mm lens: IR range up to 50 m
- Alarm 1 input/1 output, audio 1 input/1 output
- Anti-IR Reflection
- 5 streams and up to 5 custom streams
- 6 behavior analyses, 3 exception detection, and face detection
- Built-in microSD/SDHC/SDXC card slot, up to 256 GB
- Metadata of intrusion detection, line crossing detection, region entrance detection, region exiting detection, unattended baggage detection, and object removal are supported.



[www.hikvision.com](http://www.hikvision.com)

## **Function**

### **Smooth Streaming**

Smooth streaming offers solutions to improve the video quality in different network conditions. For example, in poor network conditions, adapting to the detected real-time network condition, streaming bit rate and resolution are automatically adjusted to avoid mosaic and lower latency in live view; in multiplayer network conditions, the camera transmits the redundant data for the self-error correcting in back-end device, so that to solve the mosaic problem because of the packet loss and error rate.

### **Metadata**

Metadata uses individual instances of application data or the data content. Metadata can be used for third-party application development.

### **Power Protection**

The camera supports a wide voltage range of 10 VDC to 48 VDC. If the voltage instability occurs, the camera still works properly. The camera supports reverse polarity protection which can avoid the camera malfunction caused by false operation.

### **Anti-Reflection Bubble**

This anti-reflection bubble design avoids the IR reflection of the raindrop and dust on the bubble and improves the image quality.

## Specifications

Camera	
Image Sensor	1/1.8" Progressive Scan CMOS
Min. Illumination	Color: 0.002 Lux @ (F1.2, AGC ON), 0.005 Lux @ (F1.8, AGC ON), 0 Lux with IR
Shutter Speed	1 s to 1/100,000 s
Slow Shutter	Yes
Day & Night	IR Cut Filter
WDR	140 dB
Angle Adjustment	Pan: 0° to 355°, tilt: 0° to 75°, rotate: 0° to 355°
Lens	
Lens Type	Motorized lens, 2.8 to 12 mm and 8 to 32 mm optional
Aperture	2.8 to 12 mm: F1.2 to 2.5 8 to 32 mm: F1.8, Constant F1.8 throughout the zoom range
Focus	Auto, semi-auto, manual
Auto-Iris	DC drive, P-iris
FOV	2.8 to 12 mm, horizontal FOV 109.2° to 38.9°, vertical FOV 56.2° to 21.9°, diagonal FOV 134.5° to 45° 8 to 32 mm, horizontal FOV 37.7° to 15.2°, vertical FOV 21° to 8.6°, diagonal FOV 43.3° to 17.24°
Lens Mount	Integrated
Illuminator	
IR Range	2.8 to 12 mm: up to 30 m; 8 to 32 mm: up to 50 m
Wavelength	850 nm
Video	
Max. Resolution	2560 × 1440
Video Stream	5 defined streams and up to 5 custom stream
Main Stream	50Hz: 25fps (2560 × 1440, 1920 × 1080, 1280 × 720) 60Hz: 30fps (2560 × 1440, 1920 × 1080, 1280 × 720)
Sub Stream	50Hz: 25fps (704 × 576, 640 × 480) 60Hz: 30fps (704 × 480, 640 × 480)
Third Stream	50Hz: 25fps (1920 × 1080, 1280 × 720, 704 × 576, 640 × 480) 60Hz: 30fps (1920 × 1080, 1280 × 720, 704 × 480, 640 × 480)
Fourth Stream	50Hz: 25fps (1920 × 1080, 1280 × 720, 704 × 576, 640 × 480) 60Hz: 30fps (1920 × 1080, 1280 × 720, 704 × 480, 640 × 480)
Fifth Stream	50Hz: 25fps (704 × 576, 640 × 480) 60Hz: 30fps (704 × 480, 640 × 480)
Custom Stream	50Hz: 25fps (1920 × 1080, 1280 × 720, 704 × 576, 640 × 480) 60Hz: 30fps (1920 × 1080, 1280 × 720, 704 × 480, 640 × 480)
Video Compression	Main stream: H.265+/H.265/H.264+/H.264 Sub stream/third stream/fourth stream/fifth stream/custom stream: H.265/H.264/MJPEG

H.264 Type	Baseline Profile/Main Profile/High Profile
H.264+	Main stream support
H.265 Type	Main Profile
H.265+	Main stream supports
Video Bit Rate	32 Kbps to 16 Mbps
Scalable Video Coding (SVC)	H.264 and H.265 encoding
<b>Audio</b>	
Audio Compression	G.711/G.722.1/G.726/MP2L2/PCM/MP3
Audio Bit Rate	64Kbps(G.711)/16Kbps(G.722.1)/16Kbps(G.726)/32-192Kbps(MP2L2)/32Kbps(PCM)/8-320Kbps(MP3)
Environment Noise Filtering	Yes
Audio Sampling Rate	8 kHz/16 kHz/32 kHz/44.1 kHz/48 kHz
<b>Smart Feature-Set</b>	
Smart Event	Line crossing detection, up to 4 lines configurable Intrusion detection, up to 4 regions configurable Region entrance detection, up to 4 regions configurable Region exiting detection, up to 4 regions configurable Unattended baggage detection, up to 4 regions configurable Object removal detection, up to 4 regions configurable Face detection: detects faces and upload images Scene change detection, audio exception detection, defocus detection
Basic Event	Motion detection, video tampering alarm, exception (network disconnected, IP address conflict, illegal login, HDD full, HDD error)
Statistics	Counting
Linkage Method	Trigger recording: memory card, network storage, pre-record and post-record Trigger captured pictures uploading: FTP, SFTP, HTTP, NAS, Email Trigger notification: HTTP, ISAPI, alarm output, Email
Region of Interest	Main stream/sub stream/third stream/fourth stream/fifth stream: 4 fixed region for each stream and dynamic face tracking
<b>Image</b>	
Image Enhancement	BLC, HLC, 3D DNR, Defog, EIS, distortion correction
Image Setting	Rotate mode, saturation, brightness, contrast, sharpness, AGC, and white balance are adjustable by client software or web browser
Target Cropping	Yes
Day/Night Switch	Day/Night/Auto/Schedule/Triggered by Alarm In
Picture Overlay	LOGO picture can be overlaid on video with 128 × 128 24bit bmp format
SNR	≥52dB
<b>Network</b>	
Network Storage	microSD/SDHC/SDXC card (256 GB), local storage and NAS (NFS,SMB/CIFS), ANR Together with high-end Hikvision memory card, memory card encryption and health detection are supported.

Protocols	TCP/IP, ICMP, HTTP, HTTPS, FTP, SFTP, DHCP, DNS, DDNS, RTP, RTSP, RTCP, PPPoE, NTP, UPnP, SMTP, SNMP, IGMP, 802.1X, QoS, IPv6, UDP, Bonjour, SSL/TLS
API	ONVIF (PROFILE S, PROFILE G, PROFILE T), ISAPI, SDK, Ehome
Smooth Streaming	Yes
Security	Password protection, complicated password, HTTPS encryption, 802.1X authentication (EAP-TLS, EAP-LEAP, EAP-MD5), watermark, IP address filter, basic and digest authentication for HTTP/HTTPS, WSSE and digest authentication for ONVIF, RTP/RTSP over HTTPS, control timeout settings, security audit log, TLS 1.2, TLS1.0, TLS1.1
Simultaneous Live View	Up to 20 channels
User/Host	Up to 32 users. 3 user levels: administrator, operator and user
Client	iVMS-4200, Hik-Connect, Hik-Central
Web Browser	Plug-in required live view: IE8+ Plug-in free live view: Chrome 57.0+, Firefox 52.0+, Safari 11+ Local service: Chrome57.0+, Firefox52.0+
<b>Interface</b>	
Audio	1-ch 3.5 mm input (line in), 1-ch 3.5 mm output (line out), mono
Communication Interface	1 RJ45 10M/100M/1000M Ethernet port
Alarm	1 input, 1 output (max. 24 VDC/VAC, 1A max.)
Video Output	1Vp-p composite output (75 Ω/CVBS), only for adjustment
Power Output	12 VDC, max. 200 mA
Interface Style	Connector panel
On-board storage	Built-in micro SD/SDHC/SDXC slot, up to 256 GB
<b>General</b>	
Firmware Version	5.6.0
Web Client Language	32 languages English, Russian, Estonian, Bulgarian, Hungarian, Greek, German, Italian, Czech, Slovak, French, Polish, Dutch, Portuguese, Spanish, Romanian, Danish, Swedish, Norwegian, Finnish, Croatian, Slovenian, Serbian, Turkish, Korean, Traditional Chinese, Thai, Vietnamese, Japanese, Latvian, Lithuanian, Portuguese (Brazil)
Embedded Open Platform	Yes. The camera supports installation and running up to 4 extra applications.
General Function	Anti-flicker, 5 streams and up to 5 custom streams, heartbeat, mirror, privacy masks, flash log, password reset via e-mail, pixel counter, HTTP listening
Reset	Reset via reset button on camera body, web browser and client software
Startup and Operating Conditions	-IZS: -30 °C to 65 °C (-22 °F to 149 °F), humidity 95% or less (non-condensing) -IZHS: -40 °C to 65 °C (-40 °F to 149 °F), humidity 95% or less (non-condensing)
Storage Conditions	-30 °C to 65 °C (-22 °F to 149 °F), humidity 95% or less (non-condensing)
Power Supply	12 VDC is recommended, 10 to 48 VDC; reverse polarity protection; two-core terminal block; PoE (802.3at, class 4)
Power Consumption and Current	-IZS: With extra load: 12 VDC, 1.1 A, max. 12 W; PoE (802.3at, 42.5 V to 57 V), 0.3 A to 0.2 A, class 4 Without extra load: 12 VDC, 0.95 A, max. 10 W; PoE (802.3at, 42.5 V to 57 V), 0.3 A to 0.2 A, class 4 -IZHS:

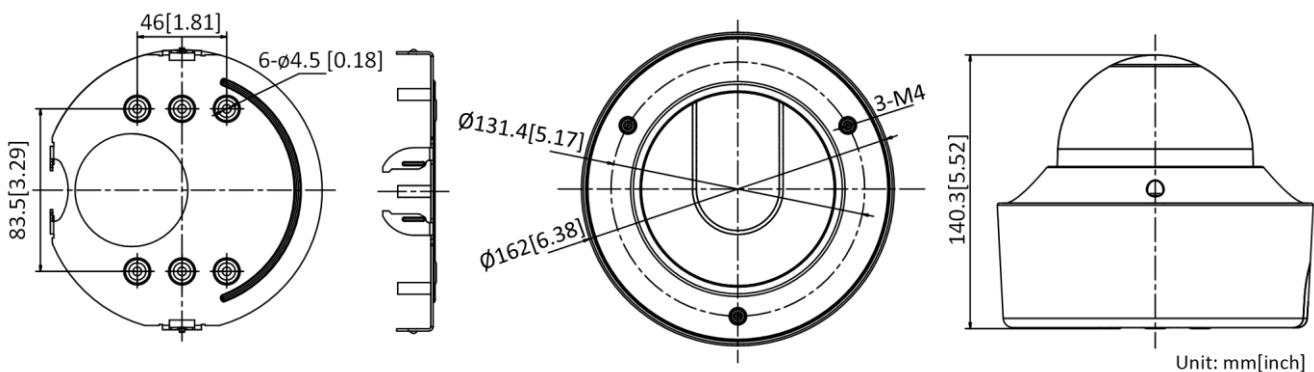
	<p>With extra load: 12 VDC, 1.4 A, max. 17 W; PoE (802.3at, 42.5 V to 57 V), 0.4 A to 0.3 A, class 4</p> <p>Without extra load: 12 VDC, 1.2 A, max. 15 W; PoE (802.3at, 42.5 V to 57 V), 0.4 A to 0.3 A, class 4</p> <p>"with extra load" means that an extra device is connected to and powered by the camera.</p>
Heater	-H: yes
Material	Metal
Dimensions	<p>Camera: <math>\Phi 162 \times 140.3</math> mm (<math>\Phi 6.4'' \times 5.5''</math>)</p> <p>With package: <math>251 \times 215 \times 189</math> mm (<math>9.9'' \times 8.5'' \times 7.4''</math>)</p>
Weight	<p>Camera: 1450 g (3.2 lb.)</p> <p>With package: 1950 g (4.3 lb.)</p>
<b>Approval</b>	
EMC	47 CFR Part 15, Subpart B; EN 55032: 2015, EN 61000-3-2: 2014, EN 61000-3-3: 2013, EN 50130-4: 2011 +A1: 2014; AS/NZS CISPR 32: 2015; ICES-003: Issue 6, 2016; KN 32: 2015, KN 35: 2015
Safety	UL 60950-1, IEC 60950-1:2005 + Am 1:2009 + Am 2:2013, EN 60950-1:2005 + Am 1:2009 + Am 2:2013, IS 13252(Part 1):2010+A1:2013+A2:2015
Chemistry	2011/65/EU, 2012/19/EU, Regulation (EC) No 1907/2006
Protection	Ingress protection: IK10 (IEC 62262:2002), IP67 (IEC 60529-2013)

\* Listed resolutions are only selectable options. It does not mean that all streams can work at their maximum resolution at the same time.

## Available Model

DS-2CD5546G0-IZS (2.8 to 12 mm), DS-2CD5546G0-IZHS (2.8 to 12 mm), DS-2CD5546G0-IZS (8 to 32 mm), DS-2CD5546G0-IZHS (8 to 32 mm)

## Dimension



**Accessory**



**DS-1475ZJ-SUS**  
Vertical Pole Mount



**DS-1476ZJ-SUS**  
Corner Mount



**DS-1471ZJ-155**  
Pendant Mount



**DS-1473ZJ-155**  
Wall Mount



**DS-1227ZJ-DM42**  
In-Ceiling Mount

Distributed by

**HIKVISION®****Headquarters**

No.555 Qianmo Road, Binjiang District,  
Hangzhou 310051, China  
T +86-571-8807-5998  
overseasbusiness@hikvision.com

**Hikvision USA**  
T +1-909-895-0400  
sales.usa@hikvision.com

**Hikvision Australia**  
T +61-2-8599-4233  
salesau@hikvision.com

**Hikvision India**  
T +91-22-28469900  
sales@pramahikvision.com

**Hikvision Canada**  
T +1-866-200-6690  
sales.canada@hikvision.com

**Hikvision Thailand**  
T +662-275-9949  
sales.thailand@hikvision.com

**Hikvision Europe**  
T +31-23-5542770  
sales.eu@hikvision.com

**Hikvision Italy**  
T +39-0438-6902  
info.it@hikvision.com

**Hikvision Brazil**  
T +55 11 3318-0050  
Latam.support@hikvision.com

**Hikvision Turkey**  
T +90 (216)521 7070- 7074  
sales.tr@hikvision.com

**Hikvision Malaysia**  
T +601-7652-2413  
sales.my@hikvision.com

**Hikvision UK & Ireland**  
T +01628-902140  
sales.uk@hikvision.com

**Hikvision South Africa**  
Tel: +27 (10) 0351172  
sale.africa@hikvision.com

**Hikvision France**  
T +33(0)1-85-330-450  
info.fr@hikvision.com

**Hikvision Kazakhstan**  
T +7-727-9730667  
nikia.panfilov@hikvision.ru

**Hikvision Vietnam**  
T +84-974270888  
sales.vt@hikvision.com

**Hikvision UAE**  
T +971-4-4432090  
salesme@hikvision.com

**Hikvision Singapore**  
T +65-6684-4718  
sg@hikvision.com

**Hikvision Spain**  
T +34-91-737-16-55  
info.es@hikvision.com

**Hikvision Tashkent**  
T +99-87-1238-9438  
uzb@hikvision.ru

**Hikvision Hong Kong**  
T +852-2151-1761  
info.hk@hikvision.com

**Hikvision Russia**  
T +7-495-669-67-99  
sateru@hikvision.com

**Hikvision Korea**  
T +82-(0)31-731-8817  
sales.korea@hikvision.com

**Hikvision Poland**  
T +48-22-460-01-50  
info.pl@hikvision.com

**Hikvision Indonesia**  
T +62-21-2933759  
Sales.Indonesia@hikvision.com

**Hikvision Colombia**  
sales.colombia@hikvision.com