

DS-2CD6412FWD-XX

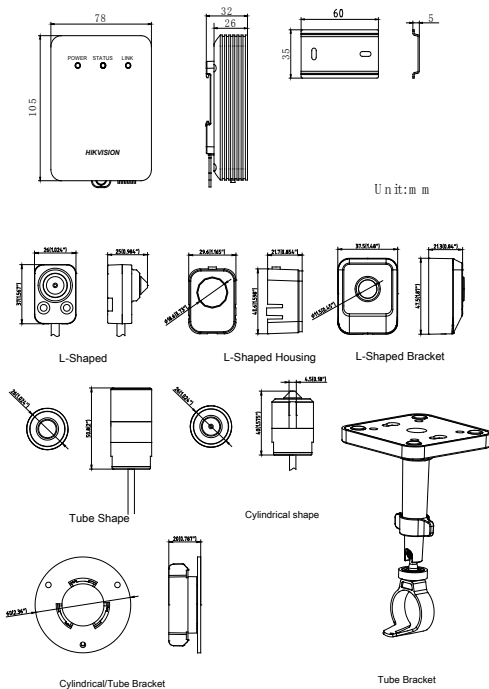
1.3 MP 1/3" WDR Separated Network Camera



Key features

- Up to 1280 x 960 high resolution
- Full HD1080p video
- Smart Codec
- 120dB WDR, 3D DNR
- Triple streams

Dimensions



Available models

DS-2CD6412FWD-C1, DS-2CD6412FWD-C2
 DS-2CD6412FWD-L10, DS-2CD6412FWD-L20
 DS-2CD6412FWD-L30

- * -L10: Cylindrical shape lens
- L20: L-shaped lens
- L30: Tube shape lens
- C1: Camera body with one single lens
- C2: Camera body with two lens

DS-2CD6412FWD-XX	
Camera	
Image sensor	1/3" Progressive Scan CMOS
Min. illumination	-L10/L20: Color: 0.037 Lux @(F2.3,AGC ON); Black: 0.0037Lux @(F2.3,AGC ON) -L30: Color: 0.028 Lux @(F2.0,AGC ON); Black: 0.0028Lux @(F2.0,AGC ON)
Shutter Speed	1/1 to 1/100,000 sec
Slow shutter	Support
Lens	- L10/L20: 3.7mm@ F2.3, angle of view: 57° -L30: 4mm @ F2.0, angle of view: 73.1° (4mm), 120°m(2.0m), 92.5°(2.8mm), 46°(6mm)
Day & Night	Electronic
Digital Noise Reduction	3D DNR
Wide Dynamic Range	120dB
Number of Lenses	-C1: Camera body with single lens -C2: Camera body with dual lens
Length of Lens Cable	Optional 2m or 8m
Compression Standard	
Video Compression	H.264 / MPEG4 / MJPEG
H.264 Type	Baseline Profile / Main Profile / High Profile
Video Bit Rate	32 Kbps – 16 Mbps
Audio Compression	G.711/G.722.1/G.726/MP2L2
Audio Bit Rate	64Kbps(G.711) / 16Kbps(G.722.1) / 16Kbps(G.726) / 32-128Kbps(MP2L2)
Image	
Max. Resolution	1280 × 960
Main Stream	50Hz: 25fps (1280 × 960), 25fps (1280 × 720) 60Hz: 30fps (1280 × 960), 30fps (1280 × 720)
Sub stream	(4CIF, CIF, VGA) @25/30fps
Third Stream	Only single channel camera supports third stream, which is independent with main stream, up to 50Hz: 25fps (1280 × 960); 60Hz: 30fps (1280 × 960)
Image Settings	Rotate mode(first channel), saturation, brightness, contrast, sharpness and gray scale adjustable
BLC	Support, zone optional
Defog	Support
EIS	Support (first channel)
Day/Night Switch	Auto / Timing / Alarm trigger
ROI	Support
Picture Overlay	Support 128 × 128 size BMP with 24-bit depth image overlay, zone optional
Network	
Network storage	Support Micro SD/SDHC/SDXC slot, up to 64GB , Edge recording, NAS (NFS,SMB/CIFS)
Alarm Trigger	Model with single lens: Intrusion detection, audio exception detection, defocus detection All models: motion detection, face detection, dynamic analysis, tampering alarm, network disconnect, IP address conflicts, storage full, storage error
Protocols	TCP/IP, ICMP, HTTP, HTTPS, FTP, DHCP, DNS, DDNS, RTP, RTSP, RTCP, PPPoE, NTP, UPnP, SMTP, SNMP, IGMP, 802.1X, QoS, IPv6, Bonjour
Common features	Reset, flickerless, multi-stream, heartbeat, rotate, password protection, video masking, watermark, anonymous login, IP address filtering
Standard	ONVIF, PSIA, CGI, ISAPI
Interface	
Audio Interface	1 3.5mm audio input (Mic in / Line in) / output external interface
Communication Interface	1 RJ45 10M/100M Ethernet interface/ 1 RS232/ 1 RS-485
Alarm Input / Output	1 / 1
General	
Operating conditions	-30 °C – 60 °C (-22 °F – 140 °F) , Humidity 95% or less (non-condensing)
Power Supply	12 V DC ± 10% , PoE (802.3af)
Power Consumption	Max. 6.5 W
Dimensions	78×105×32 mm (3.07" × 4.13" × 1.26")
Shipping Weight	2m cable: <570g / 8m cable: <680g
Net Weight	Main body: 210g Cylindrical lens: 113g(2m), 233g(8m) L-shaped lens: 99g(2m), 220g(8m) Tube lens: 129g(2m), 242g(8m) Package+accessories: 224g