

# quickMOUNT

The quickMOUNT is a basic wall mount adapter for small point to point and sector antennas.

You can mount it on the wall or use it as an adapter from large diameter pole to small size antenna mounting clip ensuring reliable fitment. The quickMOUNT gives possibility to turn antenna within 190°.

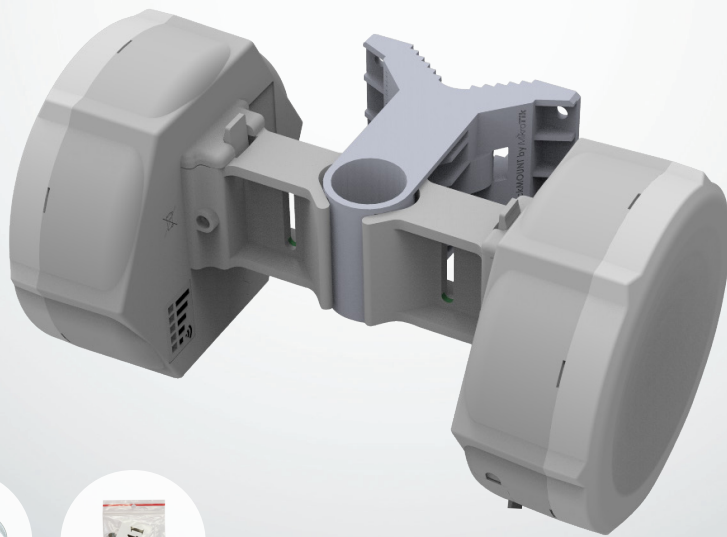
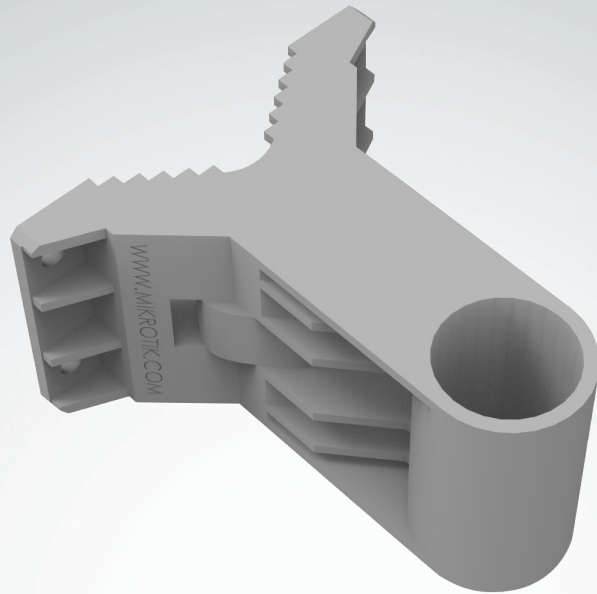
With the quickMOUNT it is possible to simultaneously mount two SXTs, thus creating a repeater access point or creating large sector coverage.

You can use the quickMOUNT with any pole mountable device with weight less than 1.5 Kg

- simple and low cost
- supports SXT, Omnitik, BaseBox or any other pole mountable device
- supports up to two SXT units

The adapter is very durable due to it's special material composite - anvilNITE (TM)

Product code	QM
Dimensions	96x107.5x56 mm
Tube diameter	35 mm
Max tube diameter to which mount can be attached	65 mm
Maximum antenna weight	1.5 kg
Maximum wind load	100N
Compatible devices	SXT series, Omnitik, 3rd party antennas that are designed to be pole mounted
Turn angle for Mikrotik products	190°
Operational temperature range	±40° C
Material	anvilNITE™



Mounting ring



K-41 screw kit