



[Homepage](#) > [Products](#) > [Commercial Antennas](#) > [5.3/5.8 GHz Antennas](#) > **Directional (CPE) Antennas**

## DIRECTIONAL (CPE) ANTENNAS

**MT-485001**  
**5.15-5.875GHZ 18DBI LINEAR V/H POLARITY DIRECTIONAL ANTENNA**



### ELECTRICAL

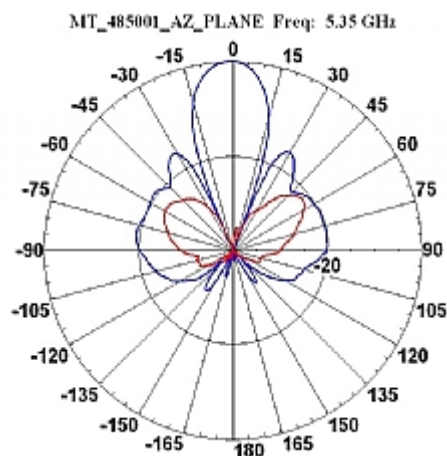
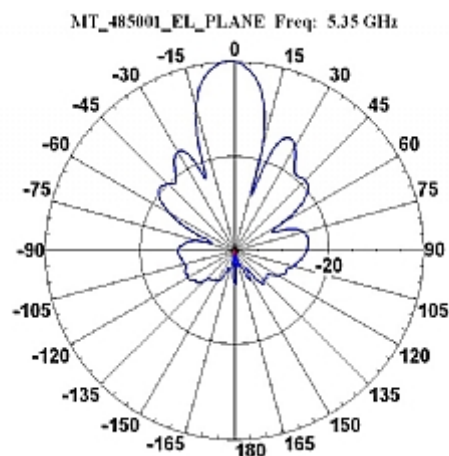
REGULATORY COMPLIANCE	ETSI EN 302 085 V1.2.2 (2003-08), RoHS, CE 0682
FREQUENCY RANGE	5.15 – 5.875 GHz
GAIN	17.5dBi (min) @ 5.15-5.25GHz 18 dBi (min) @ 5.25-5.875GHz
VSWR	1.5:1 (typ) 1.9 : 1 (max)
POLARIZATION	Linear (Vertical or Horizontal)
3 dB BEAMWIDTH	18°(typ)
AZIMUTH SIDELobe LEVEL	5.15-5.875 ETSI EN 302 085 V.1.2.2 TS1-TS3 5.15-5.875 -13 dB (max)
ELEVATION SIDELobe LEVEL	5.15-5.35 -8dB 5.35-5.875 TS1-TS3
F/B RATIO	ETSI EN 302 085 V.1.2.2 TS1-TS3 -30 dB (max)
CROSS POLARIZATION	ETSI EN 302 085 V.1.2.2 TS1-TS3 -21dB (max)
POWER	6W (max)
INPUT IMPEDANCE	50 (ohm)
LIGHTNING PROTECTION	DC Grounded
<b>MECHANICAL</b>	
DIMENSIONS (LxWxD)	190 x 190 x 30 mm (max)
CONNECTOR	N-Type Female
WEIGHT	0.7 kg (max)
MOUNTING KIT	120018/A
RADOME MATERIAL	Plastic
BASE PLATE MATERIAL	Aluminum with chemical conversion coating
OUTLINE DRAWING	See Below

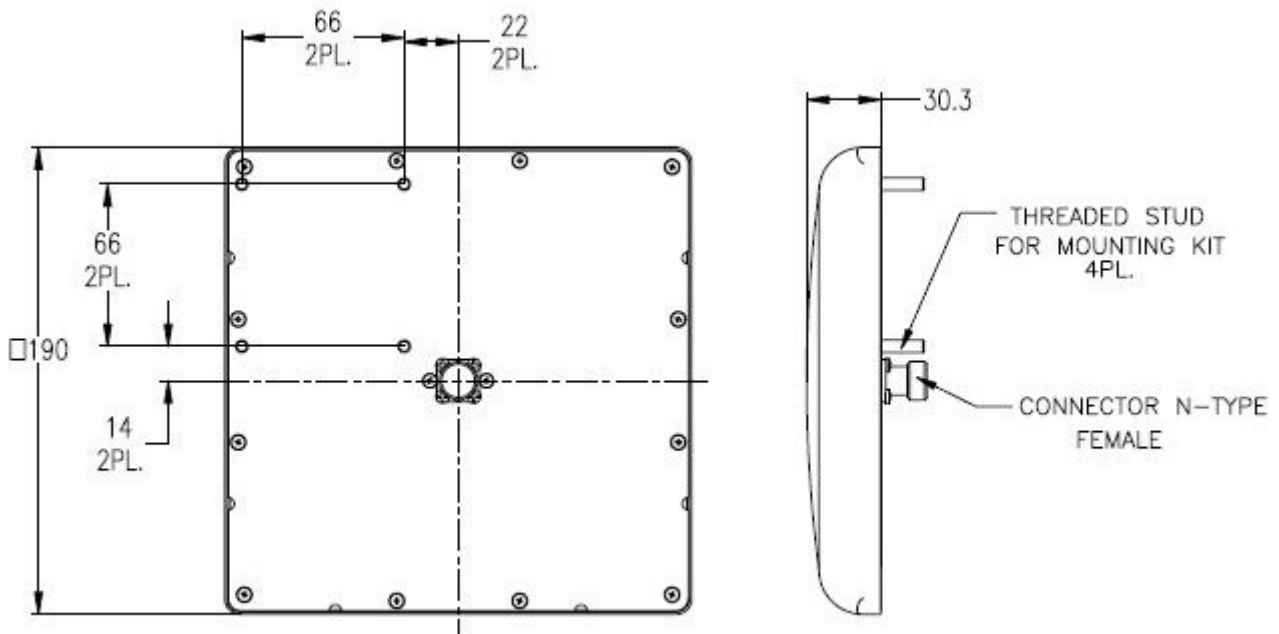
**ENVIRONMENTAL**

TEST	STANDARD	DURATION	TEMPERATURE	NOTES
LOW TEMPERATURE	IEC 68-2-1	72 h	-55°C	
HIGH TEMPERATURE	IEC 68-2-2	72 h	+71°C	
TEMP. CYCLING	IEC 68-2-14	1 h	-45°C +70°C	3 Cycles
VIBRATION	IEC 60721-3-4	30 min/axis		Random4M3
SHOCK MECHANICAL	IEC 60721-3-4			4M3
HUMIDITY	ETSI EN300-2-4 T4.1E	144 h		95%
WATER TIGHTNESS	IEC 529			IP67
SOLAR RADIATION	ASTM G53	1000h		
FLAMMABILITY	UL 94			Class HB
SALT SPRAY	IEC 68-2-11 Ka	500h		
ICE AND SNOW				25mm Radial
WIND SPEED SURVIVAL OPERATION				220 Km/h 160 Km/h
WIND LOAD (SURVIVAL) FRONT THRUST SIDE THRUST				10.5 kg 1.6 kg

**Existing Antenna Versions**

MT-485001/S/R	Half foot Integrated Antenna Enclosure
---------------	--

**AZIMUTH RADIATION PATTERN MIDBAND  
FREQ. 5.35 GHZ****ELEVATION RADIATION PATTERN MIDBAND  
FREQ. 5.35 GHZ**



#### WAIVER!

While the information contained in this document has been carefully compiled to the best of our present knowledge, it is not intended as presentation or warranty of any kind on our part regarding the fitness of the products concerned for any particular use or purpose and neither shall any statement contained herein be construed as a recommendation to infringe any industrial property rights or as a license to use any such rights. The fitness of each product for any particular purpose must be checked beforehand with our specialists.