

SpeedDome

MOBOTIX MOVE SD-340-IR

Technical Specifications

- All systems (P/T/Z/IP) are remote-upgradable
- Servo Feedback
- Wide Dynamic Range (WDR) 120 dB
- Electronic Image Stabilizer (EIS)
- H.264/MJPEG simultaneous Streaming
- 3MP Resolution
- 40x Zoom Lens
- Triple Power Support (UPoE/DC12 V/AC24 V)
- Integrated IR LEDs
- IP66



Product Features:

- Progressive Scan CMOS Sensor Support up to 3MP Resolution
- Up to 40x Optical Zoom
- Multi-Exposure WDR
- IR LED (Working Distance up to 200 m)
- Multi-Codec Support (H.264/MJPEG)
- Micro SD/SDHC/SDXC Card Support
- ONVIF Profile S/G Support
- Weatherproof (IP66)
- IK10 (housing only)
- Electrical Image Stabilizer (EIS) Support
- Low Latency Streaming
- Triple Stream Support
- RS485 Support
- 3D Motion Compensated Noise Reduction (MCTF)
- Smart Event Function: External Output/Motion Detection/Network Failure Detection/Periodical Event/Manual Trigger/Audio Detection
- Text Overlay and Privacy Masks
- Smart Low Bitrate Control
- Servo Feedback – Guarantees no Drifting
- Zero-Down-Time (ZDT) Power Switching

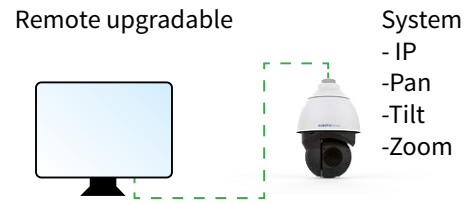
Beyond**HumanVision**

MOBOTIX MOVE

SICE DISTRIBUTORE UFFICIALE: www.sicetelecom.it

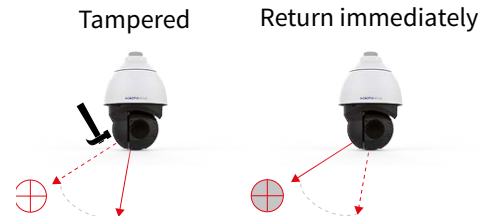
All Systems (P/T/Z/IP) are remote-upgradable

The MOBOTIX MOVE SpeedDome SD-340-IR is remote-upgradable for its software systems, including IP system, pan, tilt and zoom block. With this feature, the maintenance costs can be greatly reduced and new features can be added instantly.



Servo Feedback

The MOBOTIX MOVE SpeedDome SD-340-IR features Servo Feedback technology. When encountering external force, such as vandalism, or environmental vibration, the PTZ can return immediately to its original position.



Technical Specifications

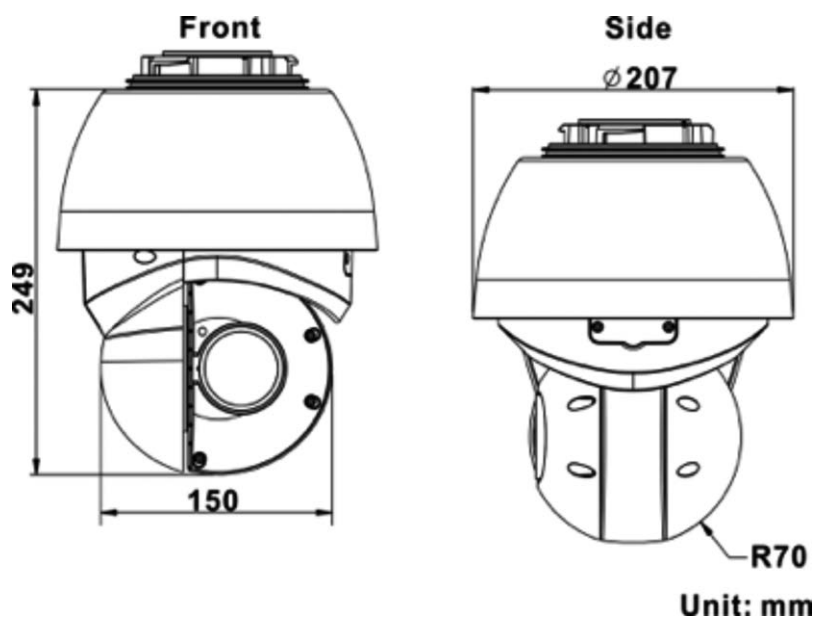
MOBOTIX MOVE SpeedDome SD-340-IR		
MOBOTIX Order Number	Mx-SD1A-340-IR	
Image Sensor	3MP 1/2.8" Progressive CMOS	
Effective Pixels	H x V = 2065 x 1553 (3MP)	
Pixel Size	2.5 μm	
Frame Rate (Maximum)	H.264: 3MP@30 fps (with and without WDR) MJPEG 1080p@30 fps	
Lens		
Minimum Illumination	Color B/W	0.04 lux 0.002 lux
Lens	Zoom Lens Focal Length Horizontal (Field of View) Vertical (Field of View)	Focus, Zoom, P-Iris, Auto-Iris F1.6, 4.3 to 170 mm 62 ° (Wide), 2 ° (Tele) 49 ° (Wide), 1 ° (Tele)
Camera		
Day and Night	Automatically removable IR-cut filter	
Shutter Time	1 to 1/10K sec.	
WDR	Yes, 120 dB	
EIS	Yes	
Zoom	40x optical zoom, 10x digital zoom	
Image Settings	Color, Brightness, Sharpness, Contrast White Balance, Exposure Control 2DNR, 3DNR, NR by Motion Masking, Text Overlay	
Corridor Mode	90 °, 180 °, 270 ° Rotation	



Video Codec	
Compression	H.264/MJPEG
Streaming	Up to 3 individually configurable Streams in H.264/MJPEG Configurable Resolution/Frame Rate/Bandwidth LBR/VBR/ CBR in H.264
Audio Codec	
Compression	G.711/G.726/AAC/LPCM
Streaming	2-Way
Audio Input	Line in
Audio Output	Line out
Network	
Interface	10/100 Mbps Ethernet
Security	User Authentication/HTTPS/IP Filter/IEEE 802.1x
Supported Protocols	ARP, PPPoE, IPv4/v6, ICMP, IGMP, QoS, TCP, UDP, DHCP, UPnP, SNMP, SMTP, RTP, RTSP, HTTP, HTTPS, FTP, NTP, DDNS
ONVIF	Profile S/G conformant
System Integration	
Analytics	Motion detection/Audio detection
Event Triggers	External Input, Analytics, Network Failure Detection, Periodical Event, Manual Trigger
Event Actions	External Output Activation Video and Audio Recording to Edge Storage File Upload: FTP, Network Share and Email Notification: HTTP, FTP, Email
General	
Casing	Metal and Plastic
Power	UPoE (Universal Power over Ethernet) or DC 12 V, 3.25 A or AC 24 V; max 39 W
Connectors	RJ45
	Alarm in x4, Alarm out x2, Terminal Block
	DC12 V Terminal Block
	AC24 V Terminal Block
	Audio in Terminal Block
	Audio out Terminal Block
	CVBS Connector
RS485 Terminal Block	
Storage	Support for microSD/microSDHC/microSDXC card Support for Recording to NAS
Protection Class	IP66/IK10 (housing only)
Operating Conditions	-40 °C to 55 °C (-40 °F to 131 °F) 10 % to 90 %, no condensation
Storage Conditions	-20 °C to 70 °C (-4 °F to 158 °F)

Technical Specifications: MOBOTIX MOVE SpeedDome SD-340-IR

Approvals	EMC Safety Environment	CE/FCC LVD IP66
Dimensions	ø 207.4 x 300.4 mm with sunshield	
Weight	3800 g	
PTZ Features		
Pre-Sets	The SpeedDome cameras support up to 256 Pre-Set positions. The positions including zoom and focus settings can be assigned via the web interface.	
Sequences	Up to 8 sequences can be defined. Each can include up to 64 pre-set positions including configuration of the duration stay in each position.	
Cruise Path	Up to 8 cruise paths can be defined. The cruise path can be recorded and stored via the web interface. To stop the cameras cruise, simply move the camera via the PTZ control.	
Auto Pan	Up to 4 auto pan paths can be defined. Speed, direction (left/right) and starting point can be defined via the web interface.	
Home	A home view can be defined by the operator. If the camera idles for a defined amount of time (1–128 minutes), it will automatically perform the defined action (e.g., move to a pre-set point or perform Auto Pan).	
Display Position	Pan/Tilt degrees can be displayed in the live image (configured via text overlay settings).	
Tilt Angle	Adjustable between -20° and $+100^{\circ}$	
Pan Angle	360° endless pan	
Tilt Speed	Manual Tilt Speed: 0.1° – $60^{\circ}/s$; Preset Tilt Speed: 7° – $300^{\circ}/s$	
Joystick Control	The cameras support the RS485 protocols DSCP, PelcoD and PelcoP and therefore can be controlled by any joystick or keyboard supporting the same protocols.	



EN_07/2019

MOBOTIX AG • Kaiserstrasse • D-67722 Langmeil • Tel.: +49 6302 9816-0 • Fax: +49 6302 9816-190 • sales@mobotix.com • www.mobotix.com
 MOBOTIX, the MX Logo, MxControlCenter, MxEasy, MxPEG and MxActivitySensor are trademarks of MOBOTIX AG registered in the European Union, the U.S.A. and in other countries • For a complete product overview and a current price list, see the MOBOTIX website • Sold only to distributors or commercial clients • Technical specifications subject to change without notice • MOBOTIX do not assume any liability for technical or editorial errors or omissions contained herein • All rights reserved • © MOBOTIX AG 2019

