

Radome Cover

for UltraDish™ TP 27

High quality radome protects the UltraDish™ TP 27 from weather elements and decreases the wind load of the antenna.

Radome is made of high-quality UV-resistant plastic and stainless steel. A drain hole on the bottom ensures any condensed water will leak out.



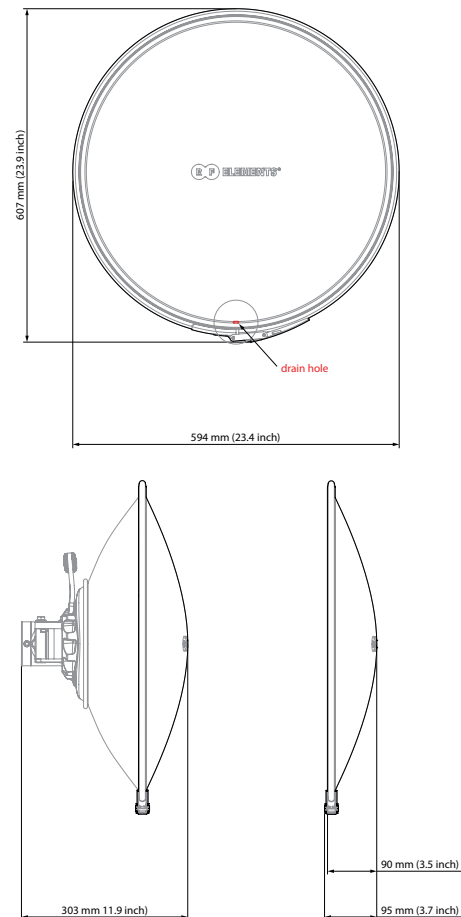
TECHNICAL DATA

Material	UV Resistant ABS Plastic, PMMA, Stainless Steel
Environmental	IP65
Temperature	-40°C to +60°C (-40°F to +140°F)
Wind Survival	160 km/h (100 mi/h)
Wind Load	354/30 N - Front/Side at 160 km/h (100 mi/h)
Effective Projected Area*	2903/247 cm ² - Front/Side (450/38.3 inch ²)
Weight	1.2 kg (2.6 lbs) – single unit 14.4 kg (31.7 lbs) – 10PACK (10 units) incl. package
Dimensions	Retail Box 10PACK: 674 x 632 x 177 mm (26.5 x 24.8 x 6.9 inch)

COMPATIBLE ANTENNA

UltraDish™ TP 27 (UD-TP-27)

PRODUCT DIMENSIONS



*Including UltraDish™ TP 27