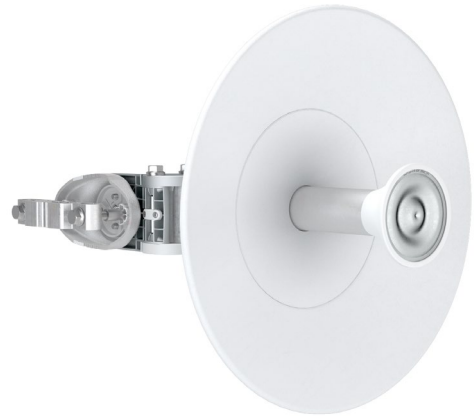


# UltraDish™ TP 400

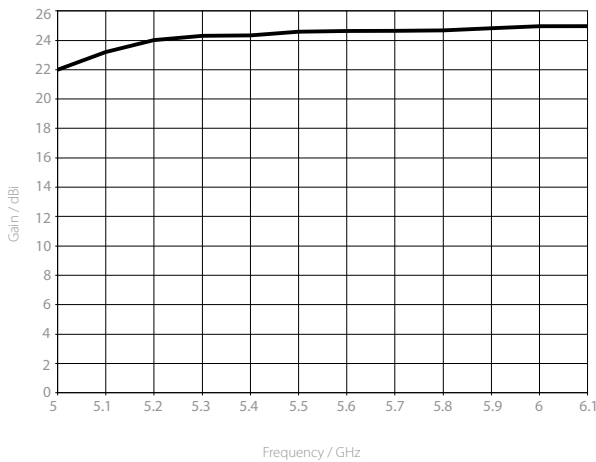
## DIRECTIONAL PARABOLIC DISH ANTENNA WITH TWISTPORT™ CONNECTOR

UltraDish™ TP 400's are designed for CPE or PtP connections. The antenna reflector is made from an aluminum alloy to ensure a very uniform shape. Our virtually lossless TwistPort™ connector guarantees easy radio deployment and maintenance.

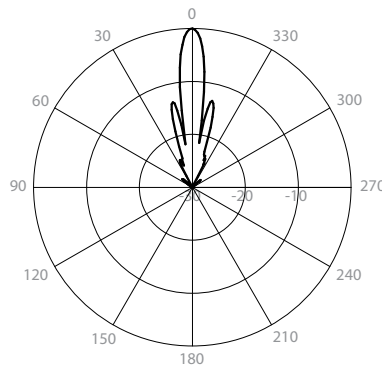
Antenna installation is extremely easy and ensures rapid deployment for large scale projects. Our innovative antenna mount fits a wide range of pole diameters and can be easily swapped for right or left side mounts. A single HEX tool is all you need to perform your installation.



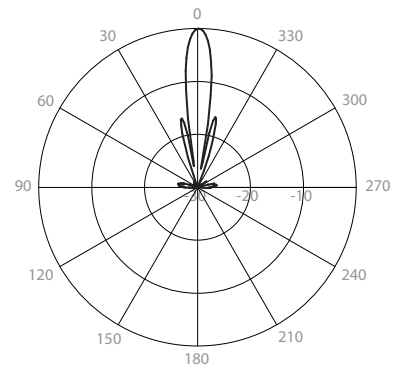
Gain H



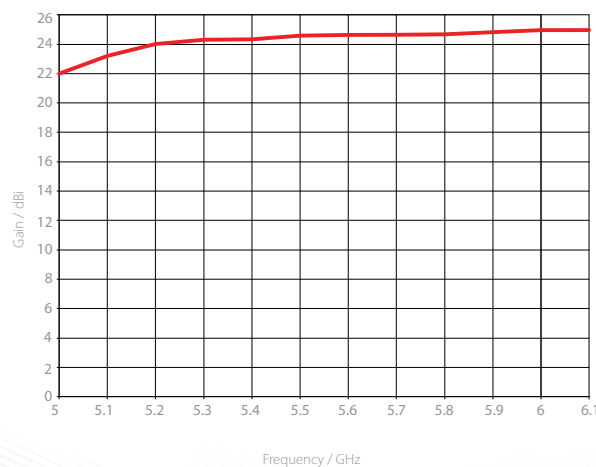
Azimuth Pattern H



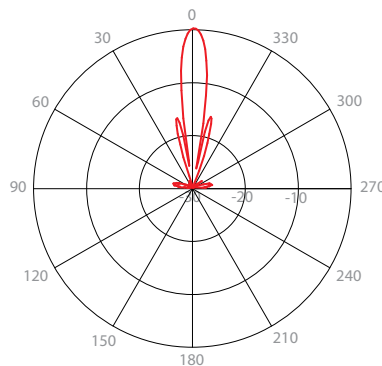
Elevation Pattern H



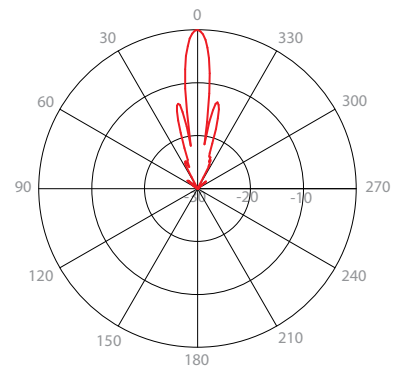
Gain V



Azimuth Pattern V



Elevation Pattern V



**PHYSICAL**

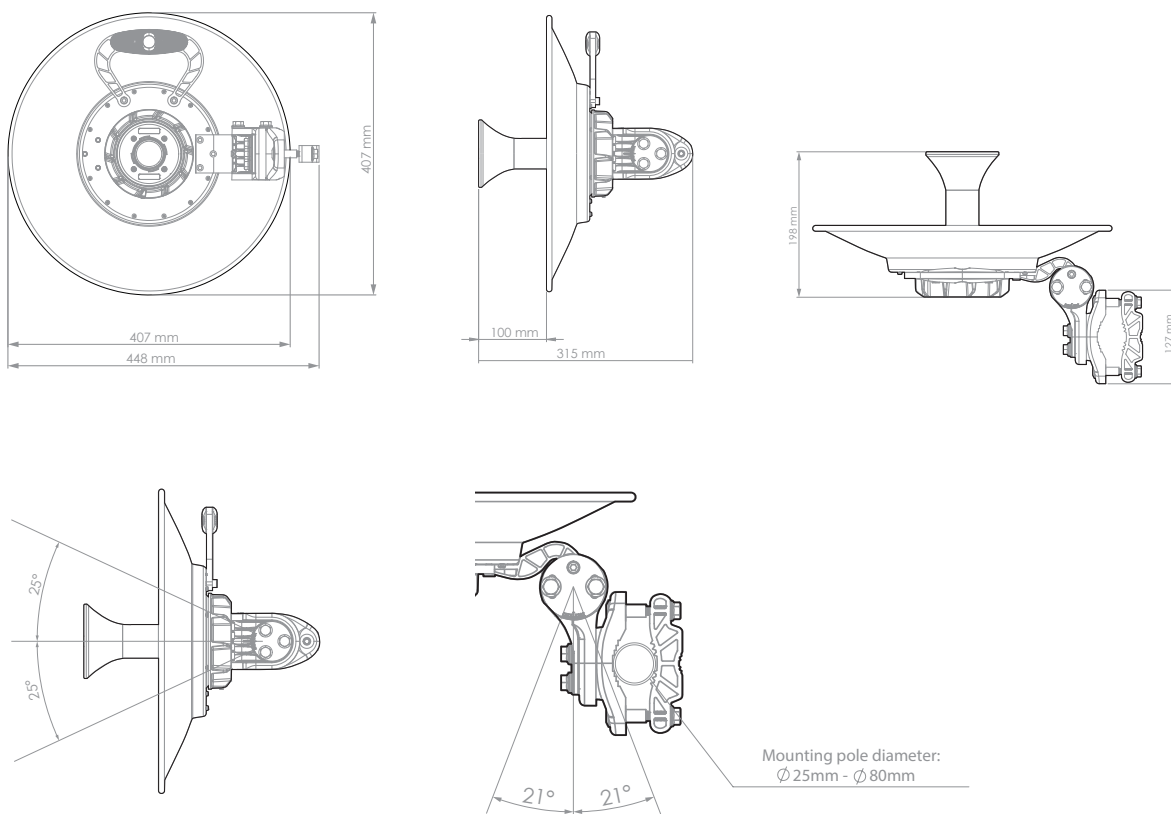
|                        |  |
|------------------------|--|
| Antenna Connection     | TwistPort™ - Quick Locking Waveguide Port  |
| Antenna Type           | Parabolic Dish   |
| Environmental          | IP65   |
| Pole Mounting Diameter | 25-80 mm (we recommend as close to 80mm as possible)   |
| Temperature            | -40 °C to +60 °C (-40°F to +140°F)   |
| Wind Survival          | 160 km/hour  |
| Wind Loading           | 156 N at 160 km/hour   |
| Weight                 | 2.7 Kg / 6 lbs – single unit (one antenna)<br>14 Kg / 31 lbs – 4PACK (4 units) incl. package |
| Dimensions             | Retail Box 4PACK: 450 x 450 x 390 mm /<br>17.7 x 17.7 x 15.3 inch                            |

**COMPATIBLE WIRELESS PLATFORMS**

any TwistPort™ Adaptor

any SIMPER™ Radio

**PRODUCT DIMENSIONS**



\*\*Beam efficiency defined up to first null