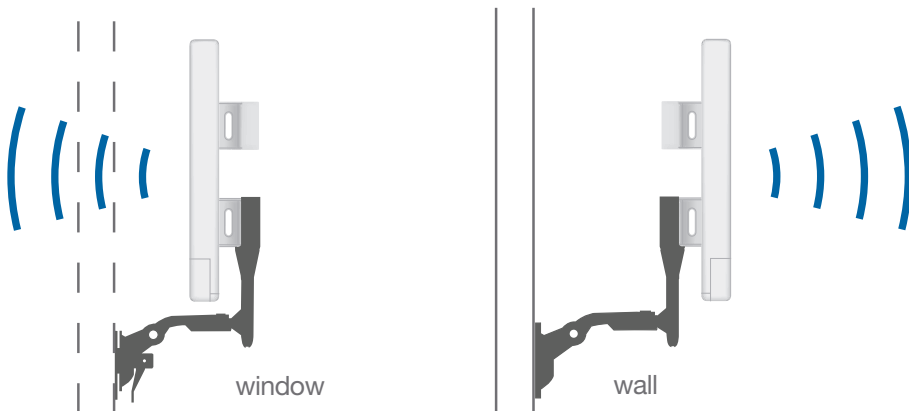
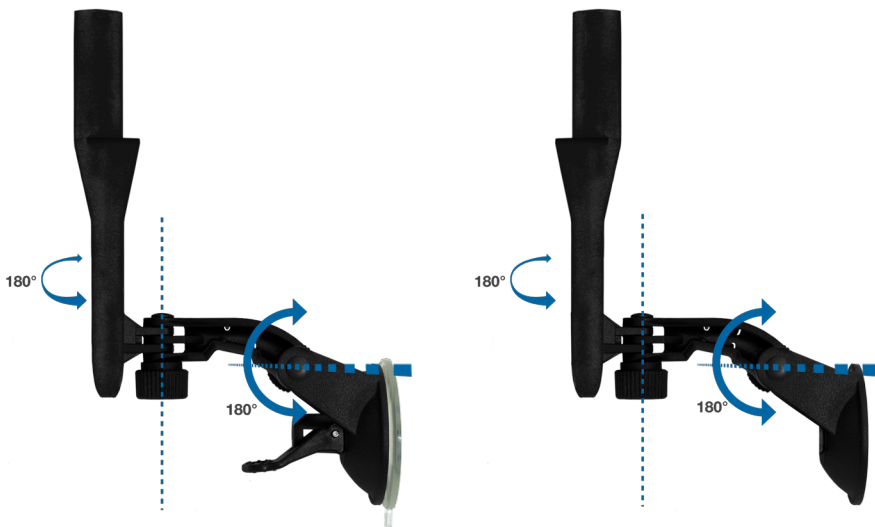


## Window/Wall Mounting Kit

Available now, the Ubiquiti Networks Window/Wall Mounting kit for NanoStation. Vertically and horizontally adjustable. For more information: [www.ubnt.com](http://www.ubnt.com)



The kit comes with interchangeable mounting adapters (suction mount for window, wall screws for wall) so the NanoStation can be easily fitted on a window or wall.



Two adjustable points that makes the mount extremely versatile in adjusting NanoStation to the exact position you want.

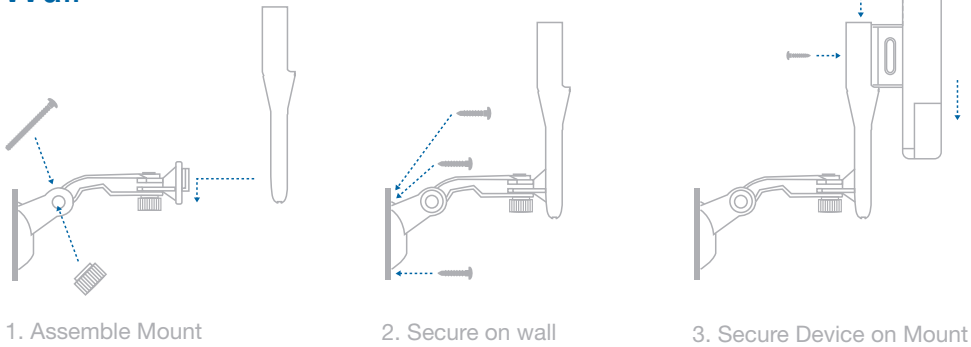


Mount with window mount adapter attached to NanoStation.

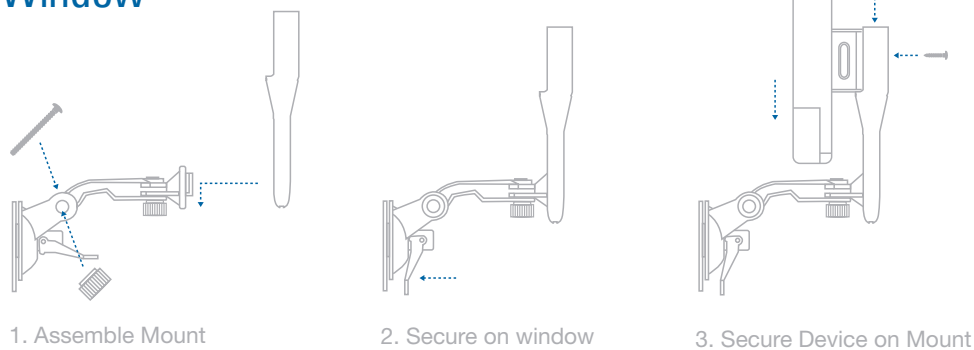
## Installation Instructions

The NanoStation Window/Wall Mounting kit comes with everything necessary for installation (all you need is a screwdriver). The Kit can easily be installed by following just three steps.

### Wall



### Window



### Kit Contents



Wall Screws



Holster Screw



Window Adapter



Wall Adapter



Arm



Holster