



TOUGH Cable™

Outdoor Carrier Class Shielded Ethernet Cable

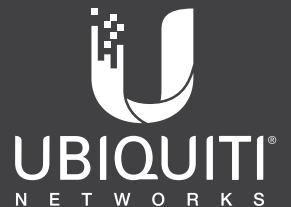
Models: PRO, CARRIER, Connectors

Increase Performance

Extreme Weatherproof

ESD Damage Protection

Extended Cable Support



TOUGH Cable™

OUTDOOR CARRIER CLASS SHIELDED

Protect your networks from the most brutal environments with Ubiquiti's industrial-grade shielded Ethernet cable, TOUGH Cable™.

Increase Performance

Dramatically improve your Ethernet link states, speeds, and overall performance with Ubiquiti TOUGH Cables.

Extreme Weatherproof

TOUGH Cables have been built to perform even in the harshest weather and environments.

ESD Damage Protection

Protect your networks from devastating electrostatic discharge (ESD) attacks.

Extended Cable Support

TOUGH Cables have been developed to increase power handling performance for extended cable run lengths.



TOUGH Cable Connectors

Specifically designed for use with Ubiquiti TOUGH Cables and available in 100-pc. bags, TOUGH Cable Connectors protect against ESD attacks and Ethernet hardware damage while allowing rapid field deployment without soldering.

Bulletproof your networks

TOUGH Cable is currently available in two versions: PRO Shielding Protection and CARRIER Shielding Protection.

TOUGH Cable PRO

A Category 5e, outdoor, carrier-class shielded cable with an integrated ESD drain wire.

TOUGH Cable CARRIER

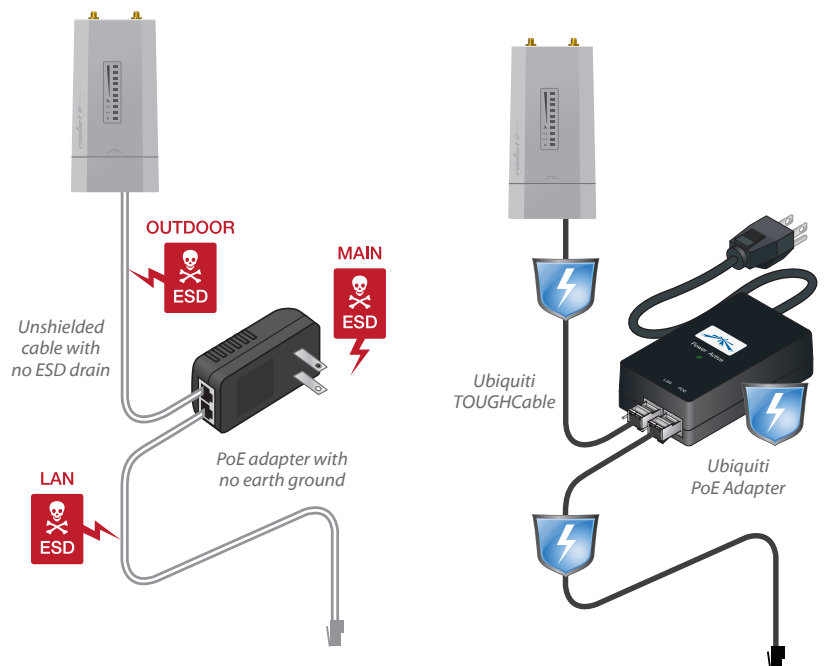
A Category 5e, outdoor, carrier-class shielded cable that features an integrated ESD drain wire, anti-crosstalk divider, and secondary shielding. It is rated to provide optimal performance on Gigabit Ethernet networks.

Additional Information:

- 24 AWG copper conductor pairs
- 26 AWG integrated ESD drain wire to prevent ESD attacks and damage
- PE outdoor-rated, weatherproof jacket
- Multi-layered shielding
- Available in lengths of 1000 ft (304.8 m)

ESD attacks are the leading cause for device failures. The diagram below illustrates the areas vulnerable to ESD attacks in a network.

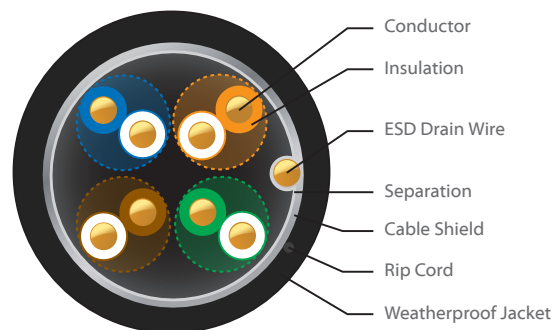
By using a grounded Ubiquiti Power over Ethernet (PoE) Adapter along with Ubiquiti TOUGH Cable and TOUGH Cable Connectors, you can effectively protect against ESD attacks.



Specifications

TOUGH Cable PRO Specifications		
Level 1 Shielding Protection	Cable	CAT5e, Shielded
	Ethernet Support	Up to 1 Gbps
	Conductor Wire Gauge	24 AWG
	Conductor	Solid Bare Copper
	Conductor Diameter	0.500 ± 0.005 mm
	Insulation Type	Solid PE
	Insulation Thickness	AVG: 0.26 mm, MIN: 0.25 mm
	Insulation Diameter	1.04 ± 0.03 mm
	Separation (Polyester Wrapping)	Thick: 0.025 mm, Extent: 20 mm
	Anti-Crosstalk Divider	None
	Cable Shield (Aluminum Foil)	Thick: 0.060 mm, Extent: 18 mm
	ESD Drain Wire	0.4 CCS
	Rip Cord	Yes
	Jacket Material	PE
	Jacket Thickness	AVG: 0.50 mm, MIN: 0.46 mm
	Jacket Outer Diameter	6.0 ± 0.30 mm
	Jacket Color	Black
Reference Standard	ISO/IEC 11801, TIA/EIA568B.2	

PRO Performance					
Frequency (MHz)	RL (dB) min.	Attenuation (dB/100 m)	NEXT/PSNEXT (dB)	ACR (dB)	ELFEXT/PSELFEXT (dB/100 m)
1	17.0	2.03	62.30	60.30	60.75
4	18.8	4.04	53.26	49.20	48.71
8	19.7	5.76	48.75	43.00	42.69
10	20.0	6.46	47.30	40.80	40.75
16	20.0	8.24	44.30	36.10	36.67
20	20.0	9.26	42.78	33.50	34.73
25	19.3	10.41	41.33	30.90	32.79
31.25	18.6	11.72	39.87	28.20	30.86
62.5	16.5	16.99	35.36	18.40	24.83
100	15.1	21.97	32.29	10.30	20.75
150	13.80	23.40	18.60/30.30	8.30	17.60/18.50



Specifications

TOUGH Cable CARRIER Specifications		
Level 2 Shielding Protection	Cable	CAT5e, Shielded
	Ethernet Support	Up to 1 Gbps
	Conductor Wire Gauge	24 AWG
	Conductor	Solid Bare Copper
	Conductor Diameter	0.500 ± 0.005 mm
	Insulation Type	Solid PE
	Insulation Thickness	AVG: 0.295 mm, MIN: 0.29 mm
	Insulation Diameter	1.16 ± 0.02 mm
	Separation (Polyester Wrapping)	Thick: 0.025 mm, Extent: 20 mm
	Anti-Crosstalk Divider	LDPE: 4.2*0.3 mm
	Cable Shield (Aluminum Foil)	Thick: 0.060 mm, Extent: 20 mm
	ESD Drain Wire	0.4 TC
	Rip Cord	Yes
	Secondary Cable Shield (Braid)	16*8*0.16AA Density: 95%
	Jacket Material	PE
	Jacket Thickness	AVG: 0.52 mm, MIN: 0.46 mm
	Jacket Outer Diameter	6.8 ± 0.30 mm
	Jacket Color	Black
Reference Standard	ISO/IEC 11801, TIA/EIA568B.2	

CARRIER Performance					
Frequency (MHz)	RL (dB) min.	Attenuation (dB/100 m)	NEXT/PSNEXT (dB)	ACR (dB)	ELFEXT/PSELFEXT (dB/100 m)
1	18.0	1.93	65.30	60.30	61.00
4	19.9	3.90	56.27	49.20	48.96
8	20.7	5.50	51.75	43.00	42.94
10	21.0	6.30	50.30	40.80	41.00
16	21.0	8.00	47.24	36.10	36.92
20	21.0	9.00	45.78	33.50	34.98
25	20.3	10.20	44.33	30.90	33.04
31.25	19.5	11.50	42.88	28.20	31.10
62.5	19.0	16.70	38.36	18.40	25.08
100	18.3	21.70	35.30	10.30	21.00
200	16.5	32.20	30.78/27.78	7.60	17.78/14.98

