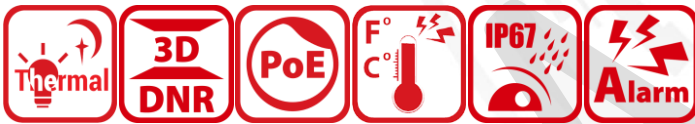


DS-2TA21-2AVF Thermographic Cube Camera



Hikvision DS-2TA21-2AVF Thermographic Cube Camera is able to measure object's temperature at a high accuracy in real time. It is applied to fire prevention purpose in electric system, industrial automation and so on. The pre-alarm system helps you discover unexpected events immediately and protects your property.

Key Feature

- 160 × 120 (the resolution of output image is 640 × 480) resolution in thermal channel, high sensitivity sensor
- Point, line and area for temperature measurement
- Temperature range: -20°C to 150°C (-4°F to 302°F), 20°C to 350°C (68°F to 662°F); temperature accuracy: Max (±2 °C, ±2%)
- Reliable temperature exception alarm function
- 3D DNR, image detail enhancement



Specification

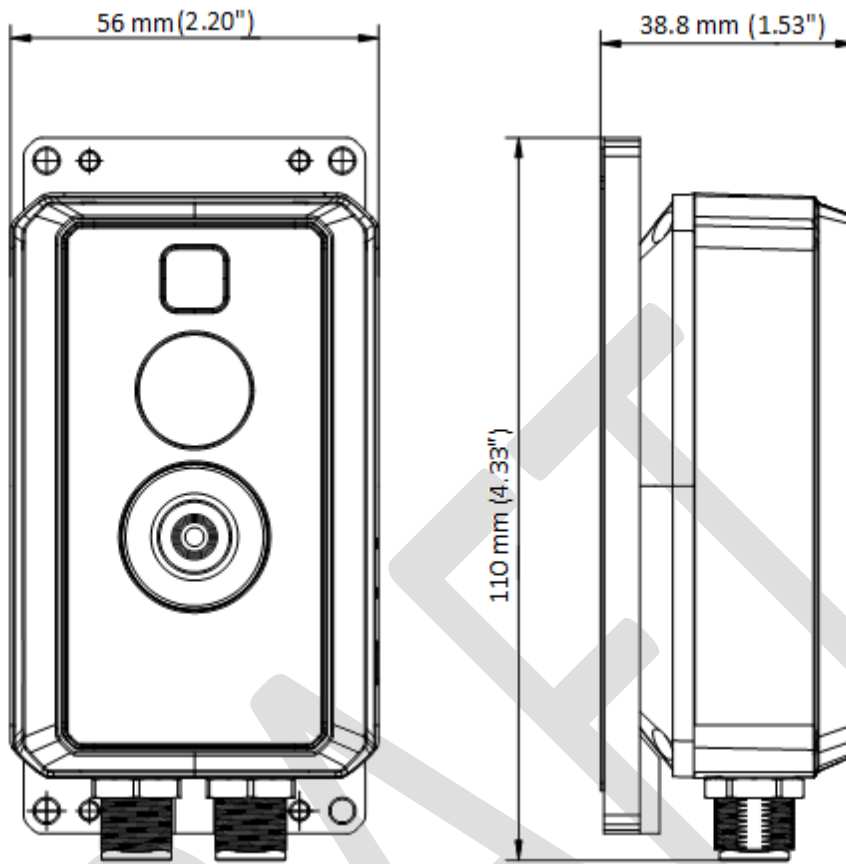
Thermal Module	
Image Sensor	Vanadium Oxide Uncooled Focal Plane Arrays
Max. Resolution	160 × 120 (the resolution of output image is 640 × 480)
Pixel Interval	17μm
Response Waveband	8μm to 14μm
NETD	less than 40 mk (@25°C, F#=1.1)
Lens (Focal Length)	1.8 mm
I FOV	9.44 mrad
Field of View	90° × 66.4° (H × V)
Min. Focusing Distance	0.1 m
Aperture	F 1.1
Optical Module	
Max. Image Resolution	1600 × 1200
Image Sensor	1/2.8" Progressive Scan CMOS
Shutter Speed	1/30 s to 1/100,000 s
Lens (Focal Length)	2 mm
Field of View	92.6° × 75.8° (H × V)
Compression Standard	
Video Compression	Main stream: H.265+/H.265/H.264+/ H.264 Sub stream: H.265/H.264/MJPEG
H.264 Type	Baseline Profile/Main Profile/High Profile
Video Bit Rate	256 Kbps to 16 Mbps
Smart Feature	
Temperature Range	-20°C to 150°C (-4°F to 302°F), 20°C to 350°C (68°F to 662°F)
Temperature accuracy	Max (±2 °C, ±2%)
Temperature measurement type	3 temperature measurement rule types, 21 rules
Image	
Main Stream	Thermal channel: 25fps (640 × 480) Optical channel: 25fps (1600 × 1200)
Sub Stream	Thermal channel: 25fps (640 × 480) Optical channel: 25fps (1600 × 1200)
Image Enhancement	3D DNR
Image Setting	Brightness, Contrast, Background Correction, Manual Correction
Network	
Alarm Trigger	Video tampering alarm, Network disconnected, IP address conflict, Illegal login, HDD full, HDD error
Protocols	IPv4/IPv6, HTTP, HTTPS, 802.1x, Qos, FTP, SMTP, UPnP, SNMP, DNS, DDNS, NTP, RTSP, RTCP, RTP, TCP, UDP, IGMP, ICMP, DHCP, PPPoE, Bonjour

General Function	One-key reset, heartbeat, mirror, password protection, privacy mask, watermark, IP address filter
Interface	
Communication Interface	1 RJ45 Ethernet port, 1 RS-485 interface
Alarm	1 input, 1 output
Thermometry Integration	
External Optics Correction	Support Thermal Optical Transmittance and Manual Input External Optics Temperature
Temperature Info. of Thermometry Rule	Real-time Output Time Interval: 500 ms
Temperature Info. of Image	Real-time Output Default is 4 fps, 32bit × 160 × 120 per frame 16 bit and 32 bit are selectable
Capture Thermal Graphic	32 bit 160 × 120
Metadata Output	Max. 25 fps (16bit 160 × 120)
General	
Menu language	English
Power Supply	10-30 VDC, Max. 4W PoE (802.3af, class 2)
Working Temperature and Humidity	-20 °C to 50 °C (-4 °F to 122 °F), humidity less than 95%
Protection	IP 67
Dimension	56 mm × 38.8 mm × 110 mm (2.20" × 1.53" × 4.33")
Weight	Approx. 335 g (0.74 lb)

Available Model

DS-2TA21-2AVF

Dimension



Distributed by

**HIKVISION®****Headquarters**

No.555 Qianmo Road, Binjiang District,
Hangzhou 310051, China
T +86-571-8807-5998
overseasbusiness@hikvision.com

Hikvision USA
T +1-909-895-0400
sales.usa@hikvision.com

Hikvision Australia
T +61-2-8599-4233
salesau@hikvision.com

Hikvision India
T +91-22-28469900
sales@pramahikvision.com

Hikvision Canada
T +1-866-200-6690
sales.canada@hikvision.com

Hikvision Thailand
T +662-275-9949
sales.thailand@hikvision.com

Hikvision Europe
T +31-23-5542770
sales.eu@hikvision.com

Hikvision Italy
T +39-0438-6902
info.it@hikvision.com

Hikvision Brazil
T +55 11 3318-0050
Latam.support@hikvision.com

Hikvision Turkey
T +90 (216)521 7070- 7074
sales.tr@hikvision.com

Hikvision Malaysia
T +601-7652-2413
sales.my@hikvision.com

Hikvision UK & Ireland
T +01628-902140
sales.uk@hikvision.com

Hikvision South Africa
Tel: +27 (10) 0351172
sale.africa@hikvision.com

Hikvision France
T +33(0)1-85-330-450
info.fr@hikvision.com

Hikvision Kazakhstan
T +7-727-9730667
nikia.panfilov@hikvision.ru

Hikvision Vietnam
T +84-974270888
sales.vt@hikvision.com

Hikvision UAE
T +971-4-4432090
salesme@hikvision.com

Hikvision Singapore
T +65-6684-4718
sg@hikvision.com

Hikvision Spain
T +34-91-737-16-55
info.es@hikvision.com

Hikvision Tashkent
T +99-87-1238-9438
uzb@hikvision.ru

Hikvision Hong Kong
T +852-2151-1761
info.hk@hikvision.com

Hikvision Russia
T +7-495-669-67-99
sateru@hikvision.com

Hikvision Korea
T +82-(0)31-731-8817
sales.korea@hikvision.com

Hikvision Poland
T +48-22-460-01-50
info.pl@hikvision.com

Hikvision Indonesia
T +62-21-2933759
Sales.Indonesia@hikvision.com

Hikvision Colombia
sales.colombia@hikvision.com